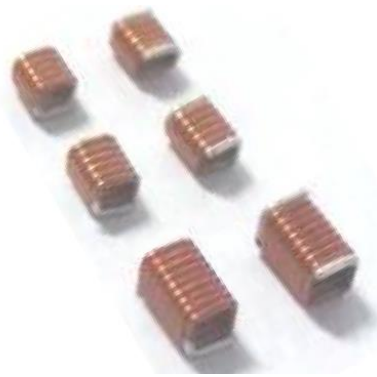




OLE WOLFF



OWA0806Q & 0908Q

Square Air Coil

GENERAL SPECIFICATIONS

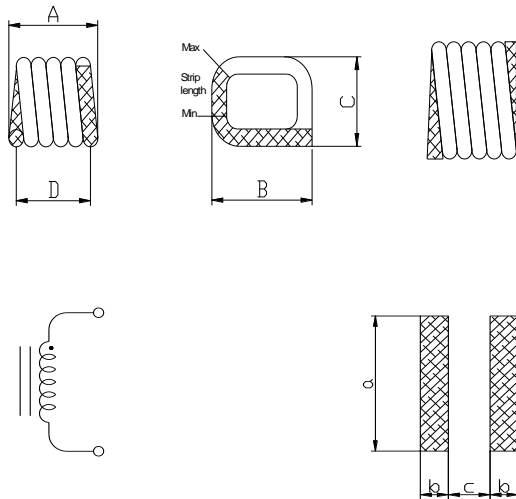
- Operation Temp: -40°C to 125°C(include self-temperature rising)
- Storage ambient condition: 0-40°C and <70%
- Test Frequency : 800 MHz,
- Resistance of soldering heating: 260°C for 10sec
- Temperature rising: 40°C typ. with I_{rms}
- Inductance will drop down 10% typ. at Isat loading
- In compliance with RoHS & REACH directives

FEATURES

- Air core inductor
- High Q
- High Current loading
- Low loss
- Low DCR
- Suitable for SMT process

APPLICATIONS

- Base
- LNA, LNB,
- Satellite
- Antenna



➤ DIMENSIONS AND ELECTRICAL CHARACTERISTICS OF OWA0806Q Square Air coil

OW P/N	A(mm)	B(mm)	C(mm)	D(mm)	a(mm)	b(mm)	c(mm)
	±0.152	±0.254	±0.102	Ref	Ref	Ref	Ref
OWA0806Q-5N5J	1.346	1.829	1.397	0.962	2.6	0.51	0.452
OWA0806Q-6N0J	1.295	1.829	1.397	0.99	2.6	0.51	0.48
OWA0806Q-8N9J	1.626	1.829	1.397	1.27	2.6	0.51	0.76
OWA0806Q-12NJ	1.93	1.829	1.397	1.63	2.6	0.51	1.12
OWA0806Q-16NJ	2.286	1.829	1.397	1.96	2.6	0.51	1.45
OWA0806Q-19NJ	2.591	1.829	1.397	2.29	2.6	0.51	1.78

OW P/N	Inductance (nH)	Q Min.	Test Frequency (MHz).	DCR (mΩ) Max.	SRF (GHz) Min.	I _{rms} (A) Max.
OWA0806Q-5N5J	5.50±5%	60	400	3.4	4.9	2.9
OWA0806Q-6N0J	6.00±5%	64	400	6	5.2	2.9



OWA0806Q-8N9J	8.90±5%	90	400	7	4.3	2.9
OWA0806Q-12NJ	12.3±5%	90	400	8	4.8	2.9
OWA0806Q-16NJ	15.7±5%	90	400	9	4.4	2.9
OWA0806Q-19NJ	19.4±5%	90	400	10	4	2.9

Note:

1) Please contact sales if you want to custom air coil or antenna by sales@owolff.com

➤ **DIMENSIONS AND ELECTRICAL CHARACTERISTICS OF OWA0908Q Square Air coil**

Stamp	A(mm)	B(mm)	C(mm)	D(mm)	a(mm)	b(mm)	c(mm)
	±0.152	±0.152	±0.152	Ref	Ref	Ref	Ref
OWA0908Q-8N1J	1.473	2.134	1.829	1.12	2.8	0.64	0.48
OWA0908Q-12NJ	1.854	2.134	1.829	1.45	2.8	0.64	0.81
OWA0908Q-14NJ	1.549	2.134	1.829	1.24	2.8	0.64	0.6
OWA0908Q-17NJ	2.21	2.134	1.829	1.83	2.8	0.64	1.19
OWA0908Q-22NJ	2.565	2.134	1.829	2.18	2.8	0.64	1.54
OWA0908Q-23NJ	2.235	2.134	1.829	1.9	2.8	0.64	1.26
OWA0908Q-25NJ	2.972	2.134	1.829	2.57	2.8	0.64	1.93
OWA0908Q-27NJ	2.972	2.134	1.829	2.57	2.8	0.64	1.93

OW P/N	Inductance (nH)	Q Min.	Test Frequency (MHz).	DCR (mΩ) Max.	SRF (GHz) Min.	Irms (A) Max.
OWA0908Q-8N1J	8.10±5%	130	400	6	5.2	4.4
OWA0908Q-12NJ	12.1±5%	130	400	7	4.3	4.4
OWA0908Q-14NJ	14.7±5%	90	400	7.2	3	4.4
OWA0908Q-17NJ	16.6±5%	130	400	8	3.4	4.4
OWA0908Q-22NJ	21.5±5%	130	400	9	3.7	4.4
OWA0908Q-23NJ	23.0±5%	120	400	10	2.6	4.4
OWA0908Q-25NJ	25.0±5%	130	400	10	2.5	4.4
OWA0908Q-27NJ	27.3±5%	130	400	10	3.2	4.4

Note:

1) Please contact sales if you want to custom air coil or antenna by sales@owolff.com

