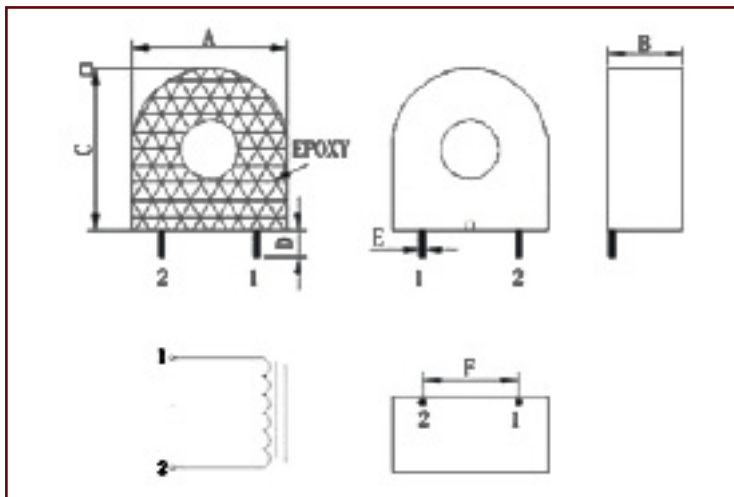




# OLE WOLFF



## OWCTxxAT series

PIN TYPE & PRIMARY THROUGH-CORE CT

### GENERAL SPECIFICATIONS

- 50/60Hz Current transformer
- Low cost
- Lamination core
- Current range from 5A to 150A
- Turns optional: 1000ts
- Accuracy Class: Defined in IEC61869-2, part 2, Class optional 1.0
- Frequency: 50 to 400Hz
- Operation Temp: -40°C to 130°C
- Hi-pot 4000Vrms for 60" and dielectric resistance over 1Gohms @ 500Vdc
- Impulse voltage 1.2/5us 5000V optional
- Operation temperature: -40 to 85°C

### FEATURES

- Epoxy encapsulated
- PBT resin UL flame retardant rate 94-V0
- RoHS & REACH compliant
- Excellent quality at a competitive price

### APPLICATIONS

- Sensing Overload current
- Indicator
- Ground fault detection
- Metering
- Analog to Digital Circuits
- Applications would include current, power and energy monitoring devices

### DIMENSIONS OF OWCTxxAT SERIES

OW series	A(mm) Max.	B(mm) Max.	C(mm) Max.	D(mm) Ref.	E(mm) Ref.	F(mm) Ref.	ID
OWCT5AT	23.8	11.12	23.8	5	1.0	15.3	9.5
OWCT10AT	23.8	11.12	23.8	5	1.0	15.3	9.5
OWCT15AT	23.8	11.12	23.8	5	1.0	15.3	9.5
OWCT20AT	23.8	11.12	23.8	5	1.0	15.3	9.5
OWCT25AT	30.2	14.30	30.2	5	1.0	20.3	11.5
OWCT30AT	30.2	14.30	30.2	5	1.0	20.3	11.5
OWCT40AT	35.0	15.90	34.9	5	1.0	25.4	14.6
OWCT50AT	35.0	15.90	34.9	5	1.0	25.4	14.6
OWCT60AT	38.1	15.90	38.1	5	1.0	33.0	14.6
OWCT100AT	44.5	17.30	44.5	5	1.0	35.6	19.05
OWCT150AT	55.6	20.6	55.6	5	1.0	45.7	23.8



## ELECTRICAL CHARACTERISTICS OF **OWCTxxAT SERIES**

OW P/N	I <sub>p</sub> (Amps)	Turns ratio	DCR (Ω)	RCF (@10%)	Terminating Resistor		Accuracy class	Volts/Amp (@ rated for loads)		
					Ω	W		500	2K	5K
OWCT5AT-1KT	5	1:1000	41.8	1.010	100	0.0025	1%	0.46	1.43	2.01
OWCT10AT-1KT	10	1:1000	41.8	1.010	100	0.0100	1%	0.45	1.1	1.42
OWCT15AT-1KT	15	1:1000	41.8	1.010	100	0.0230	1%	0.45	0.90	1.12
OWCT20AT-1KT	20	1:1000	41.8	1.010	100	0.0400	1%	0.43	0.76	0.93
OWCT25AT-1KT	25A	1:1000	48.0	1.020	100	0.0630	1%	0.47	1.06	1.31
OWCT30AT-1KT	30A	1:1000	48.0	1.020	100	0.0900	1%	0.47	0.95	1.16
OWCT40AT-1KT	40A	1:1000	49.5	1.026	100	0.1600	1%	0.46	0.87	1.05
OWCT50AT-1KT	50A	1:1000	49.5	1.026	100	0.2500	1%	0.43	0.76	0.90
OWCT60AT-1KT	60A	1:1000	54	1.001	100	0.3600	1%	0.44	0.66	0.76
OWCT100AT-1KT	100A	1:1000	54	1.001	100	1.0000	1%	0.34	0.50	0.56
OWCT150AT-1KT	150A	1:1000	57	1.002	100	2.2500	1%	0.37	0.50	0.55

### NOTE:

1. RL: Terminating resistor : 100ohm.
2. Each part number adjusted to most accurate at specified load.
3. RCF: Ratio correction factor-Multiply current reading by this factor to compensate for transformer losses.
4. Three LOW in the series: Cost, Output voltage, Accuracy. Normally, application is for indicator.

