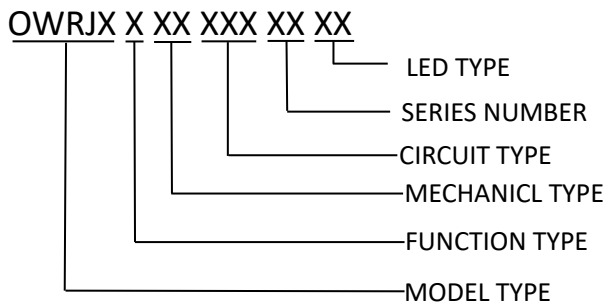




### ➤ 10/100&1000 Base – T RJ 45 CONNECTOR



#### PART NUMBER RULES



#### ◆ On-Product Information

- Meets IEEE802.3 and EIA364 specification
- High performance on EMI suppression.
- Optional: POE/NO POE; Shield/Un-shield; LED/NO LED ; EMI Tap/ No EMI tap.
- Insertion and Extraction force: 5lbs Max.
- Durability: 750times
- Pin Type: TH Type and SMD
- Operating temperature: -40deg.C to 125deg.C

#### ◆ Features

- 350uH Min OCL with 8mA DC Bias
- Voltage rating: 48Vdc
- Current rating: 100mA form magnetic
- Insulation resistance: 500MΩ @ 500VDC
- Contact resistance :30mΩ Max.
- Speed: 10M/100M/1000M/10000M
- ESD/Lightning protection

#### ◆ Applications

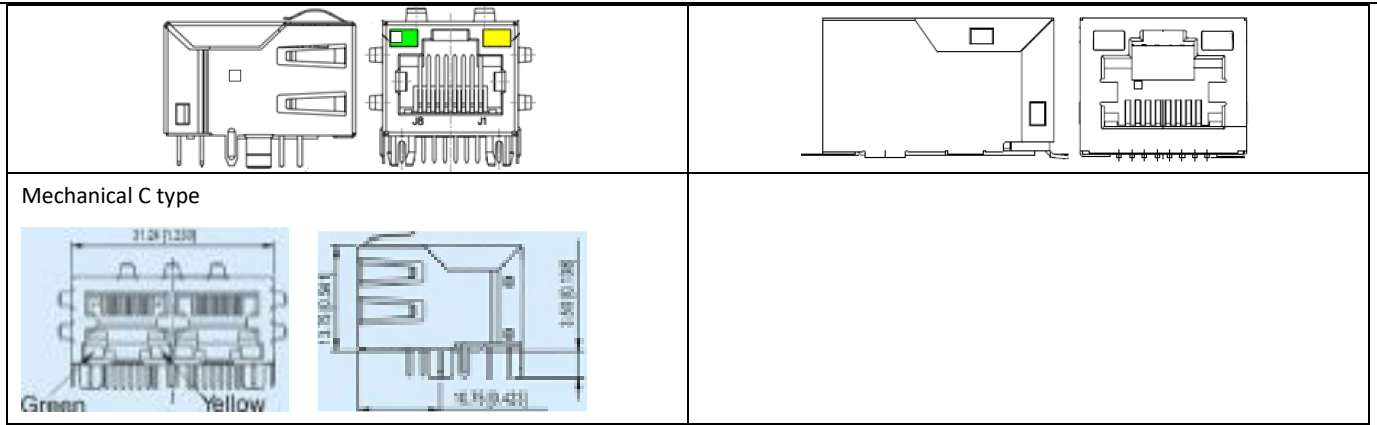
- Suitable for CAT 5&6 fast Ethernet Cable or UTP
- ADSL modems, Cable Modems, Servers and Video ON Demand.
- LAN-On-Motherboard(LOM), Hub, Video and Switches
- PC application
- Router

#### ◆ Custom possible on request

-RJ 45 can be customized.

➤ Datasheet of RJ 45 1*N TAB DOWN SERIES -10/100&100 BASE-T													
OW P/N	Turn Ratio (dB TYP)	LED L/R	Insertion Loss (dB TYP)		Return Loss (dB TYP)				Cross Talk (dB TYP)	CMRR (dB TYP)	Hi-pot (Vd Min)	Circuit TYPE	Mechanical TYPE
			1-100 MHZ	125 MHZ	1-30 MHZ	30-60 MHZ	60-80 MHZ	80-100 MHZ					
OWRJDFD10175006	1:1	N/A	-1.0	/	-18	-12	-10	/	-30	-30	2250	FD2017	A
OWRJDFD2017H101	1:1	G/Y	-1.0	/	-18	-12	-10	/	-30	-30	2250	FD2017	C
OWRJSFD10170700	1:1	N/A	-1.0	/	-18	-12	-10	/	-30	-30	2250	FD2017	B
OWRJGD10090001	1:1	Y/O&G	-1.0	-1.2	-18	-12	-10	-8	-30	-30	2250	GD1009	A
OWRJGD20680201	1:1	G/Y	-1.0	-1.2	-18	-12	-10	-8	-30	-30	2250	GD2068	C
OWRJAD13550004	11	Y/G	-1.0	/	-18	-12	-10	/	-30	-30	2250	AD1355	A
Please contact our sales team once you want to custom other specification.													
<b>Mechanical A type</b>							<b>Mechanical B type --SMD</b>						

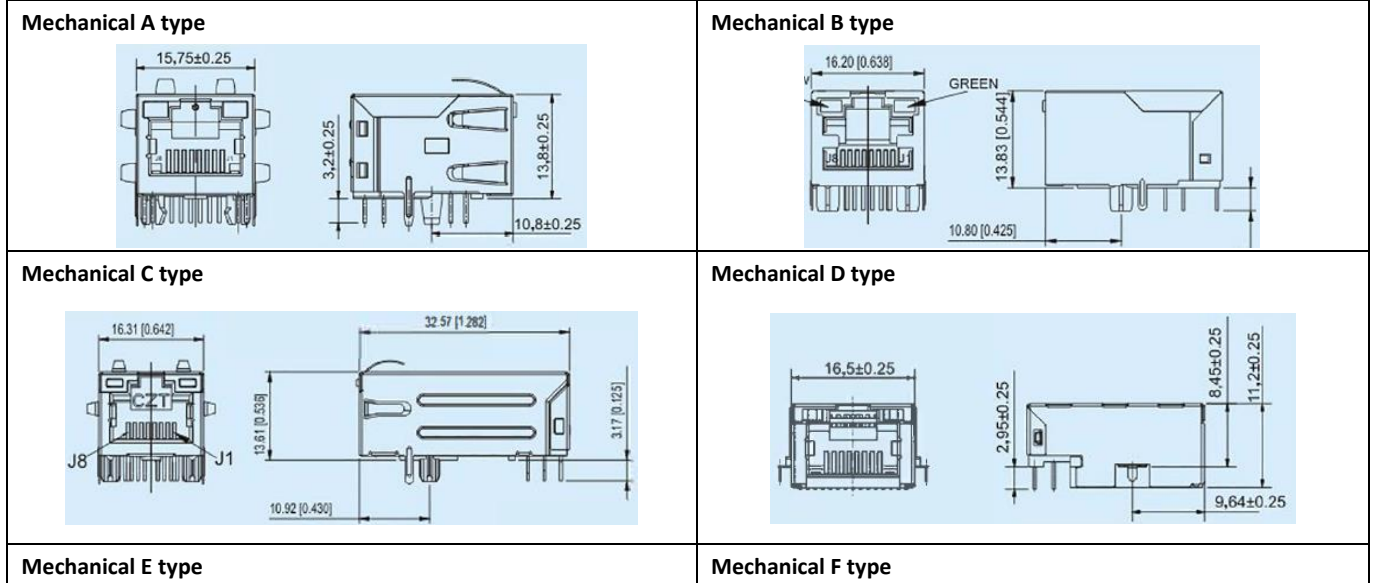


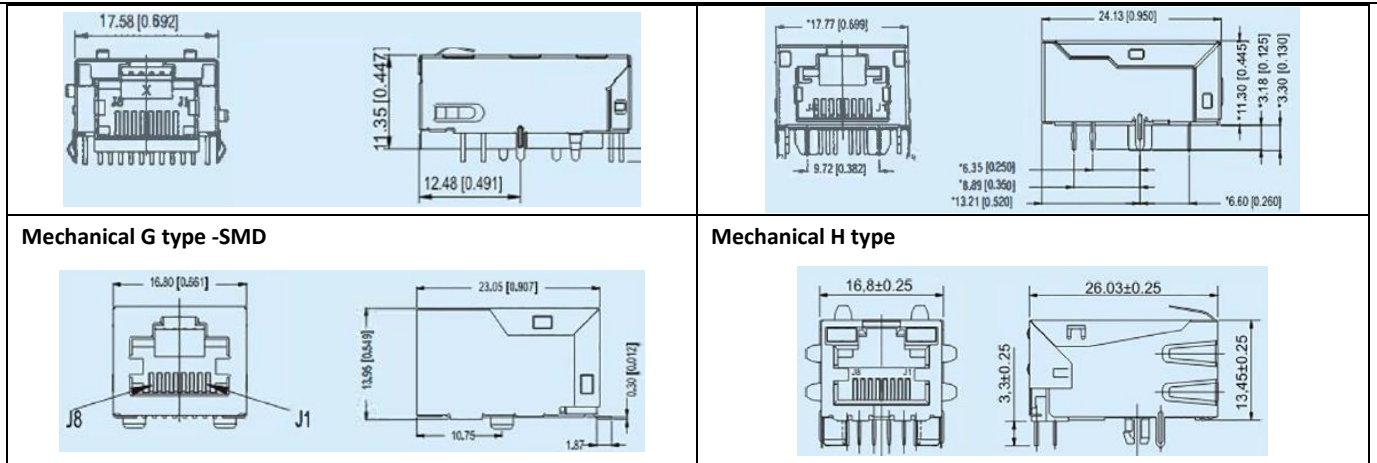


➤ Datasheet of RJ 45 1\*N TAP UP SERIES -10/100&100 BASE-T

OW P/N	Turn Ratio (dB TYP)	LED L/R	Insertion Loss (dB TYP)		Return Loss (dB TYP)				Cross Talk (dB TYP)	CMRR (dB TYP)	Hi-pot (Vd Min)	Circuit TYPE	Mechanical TYPE
			1-100 MHZ	125 MHZ	1-30 MHZ	30-60 MHZ	60-80 MHZ	80-100 MHZ					
OWRJDFU11690204	1:1	G/Y	-1.0	/	-18	-12	-10	/	-30	-30	1500	FU1169	A
OWRJSFU13050000	1:1	N/A	-1.0	/	-18	-12	-10	/	-30	-30	1500	FU1305	G
OWRJDFU10270204	1:1	G/Y	-1.0	/	-18	-12	-10	/	-30	-30	1500	FU1027	H
OWRJDFU10272001	1:1	Y/G	-1.0	/	-18	-12	-10	/	-30	-30	1500	FU1027	D
OWRJDFU13080217	1:1	Y/G	-1.0	/	-18	-12	-10	/	-30	-30	1500	FU1308	F
OWRJDFU12500201	1:1	Y/G	-1.0	/	-18	-12	-10	/	-30	-30	1500	FU1250	B
OWRJDBU14400001	1:1	Y/G	-1.0	/	-18	-12	-10	/	-30	-30	1500	BU1440	C
OWRJDGU11880143	1:1	Y/O&G	-1.0	-1.2	-18	-12	-10	-8	-30	-30	2250	GU1188	A
OWRJDGU11820136	1:1	Y/O&G	-1.0	-1.2	-18	-12	-10	-8	-30	-30	2250	GU1182	B
OWRJDGU16160222	1:1	G&O/Y	-1.0	-1.2	-18	-12	-10	-8	-30	-30	2250	GU1616	C
OWRJDGU13060207	1:1	G/G	-1.0	-1.2	-18	-12	-10	-8	-30	-30	2250	GU1306	E
OWRJSGU10020000	1:1	N/A	-1.0	-1.2	-18	-12	-10	-8	-30	-30	2250	GU1002	G

Please contact our sales team once you want to custom other specification.





➤ Datasheet of RJ 45 1 X 1 10/100&1000 Base -T Vertical Jack

OW P/N	Turn Ratio (dB TYP)	LED L/R	Insertion Loss (dB TYP)		Return Loss (dB TYP)				Cross Talk (dB TYP)	CMRR (dB TYP)	Hi-pot (Vd Min)	Circuit TYPE	Mechanical TYPE
			1-100 MHZ	125 MHZ	1-30 MHZ	30-60 MHZ	60-80 MHZ	80-100 MHZ					
OWRJVF110020200	1:1	N/A	-1.0	/	-18	-12	-10	/	-30	-30	2250	F11002	A
OWRJVF110770801	1:1	G/Y	-1.0	/	-18	-12	-10	/	-30	-30	2250	F11077	B
OWRJVF110012504	1:1	Y/G	-1.0	/	-18	-12	-10	/	-30	-30	2250	F11001	C
OWRJVF110690000	1:1	N/A	-1.0	/	-18	-12	-10	/	-30	-30	2250	F11069	D
OWRJVG110050001	1:1	G/Y	-1.0	-1.2	-18	-12	-10	-8	-30	-30	2250	G11005	A
OWRJVG110610017	1:1	G/Y	-1.0	-1.2	-18	-12	-10	-8	-30	-30	2250	G11061	B

Please contact our sales team once you want to custom other specification.

