

OWRL-061520L-32B

Rectangular receiver

Very small compact size, HAC compliant. For mobile application.

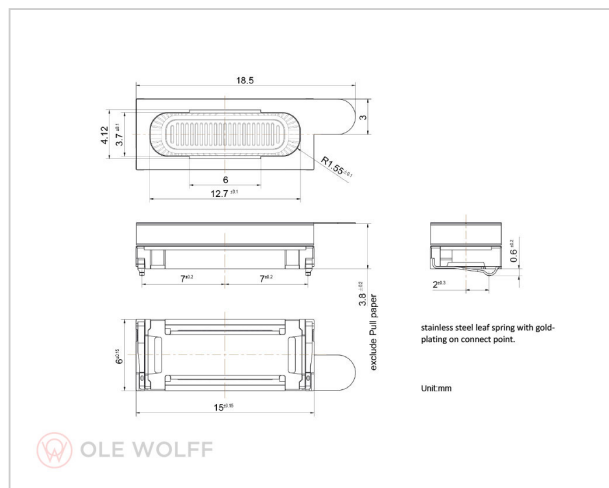


Characteristics

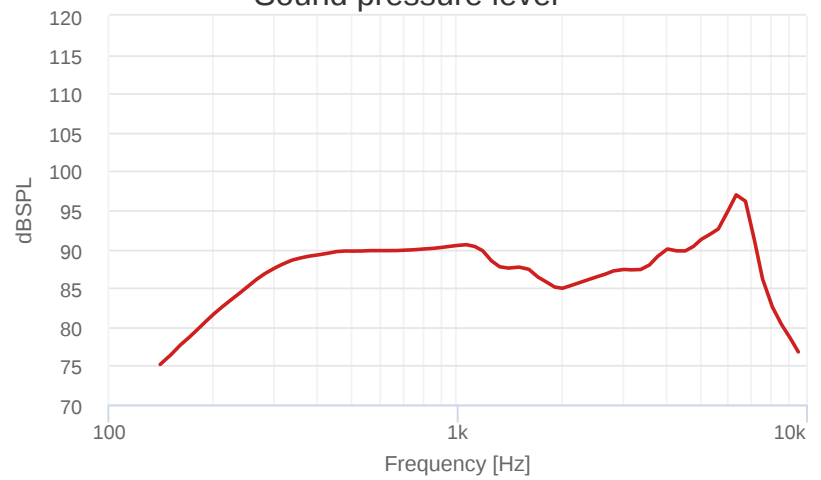
Size (LxWxH) [mm]	15.0x6.0x2.0	
Sensitivity [dBSPL]	100.0±3dB	[dBSPL @1kHz, 1mW, 2cc]
Impedance [Ω]	32	
Power [mW]	10.0 / 30.0	Free field
F0 [Hz]	300	Free field
Termination	Terminals	

Specifications are subject to change without prior notice. Upon request Ole Wolff can supply further specifications, simulation parameters etc.

Mechanical drawing



Sound pressure level



Total harmonic distortion

