

OWR-4011T-32i

Headphone driver

Full range driver for music and gaming headphone. 16ohm version is also available.

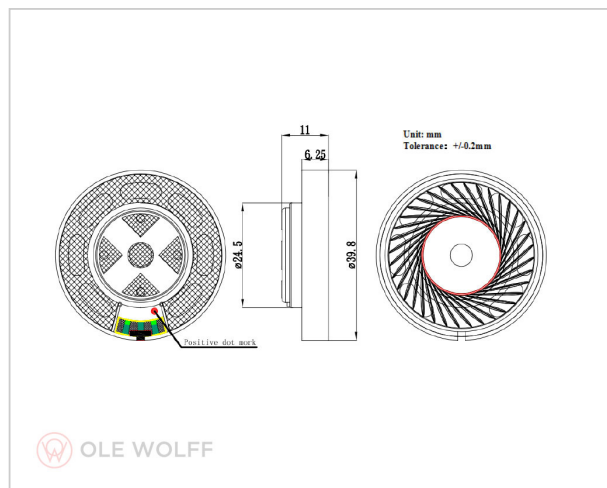


Characteristics

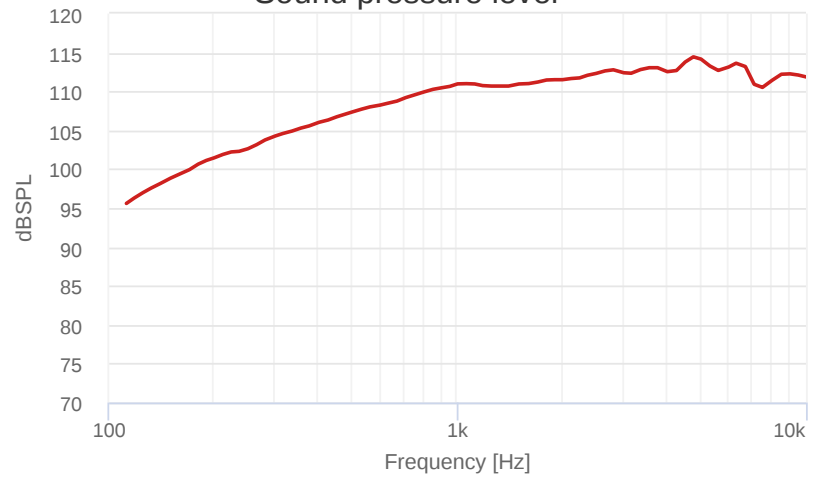
Size (ØxH) [mm]	40.0x11.0	
Sensitivity [dBSPL]	100.0±3dB	[dBSPL @1kHz, 1mW, 2cc]
Impedance [Ω]	32	
Power [mW]	40.0 / 80.0	Free field
F0 [Hz]	130	Free field
Termination	Terminals	

Specifications are subject to change without prior notice. Upon request Ole Wolff can supply further specifications, simulation parameters etc.

Mecanical drawing



Sound pressure level



Total harmonic distortion

