

OWR-05049T-38D

In-ear driver, full range

High bass driver based on our patent pending DDD technology ensuring large piston area.

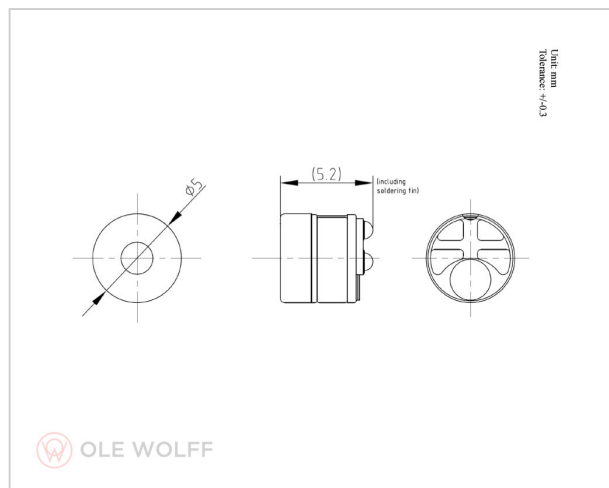


Characteristics

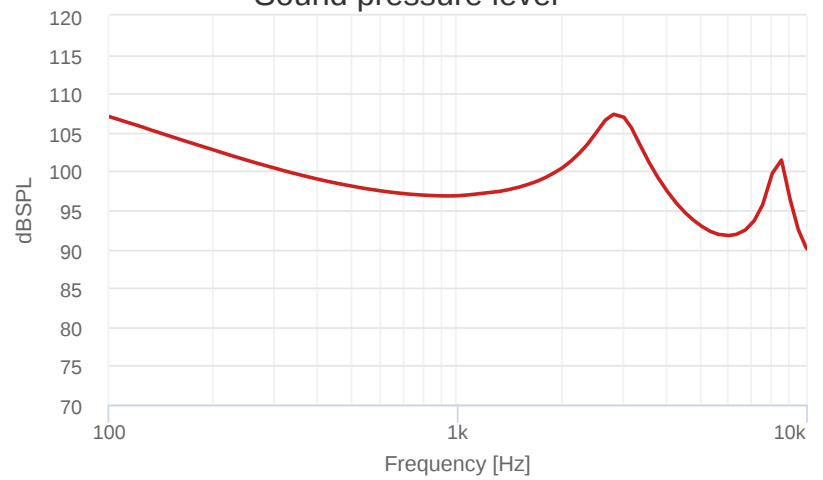
Size (ØxH) [mm]	5.0x4.9	
Sensitivity [dBSPL]	100.0±3dB	[dBSPL @1kHz, 1mW, 2cc]
Impedance [Ω]	38	
Power [mW]	5.0 / 10.0	Free field
F0 [Hz]	3000	Free field
Termination	Terminals	

Specifications are subject to change without prior notice. Upon request Ole Wolff can supply further specifications, simulation parameters etc.

Mechanical drawing



Sound pressure level



Total harmonic distortion

