

# OWRL-3094T-150SWB-C

## Super Wideband receiver

- Super Wideband (P1120) compliant with minor DSP adjustment
- HAC compliant
- Easy implementation in handset
- Built-in leakage

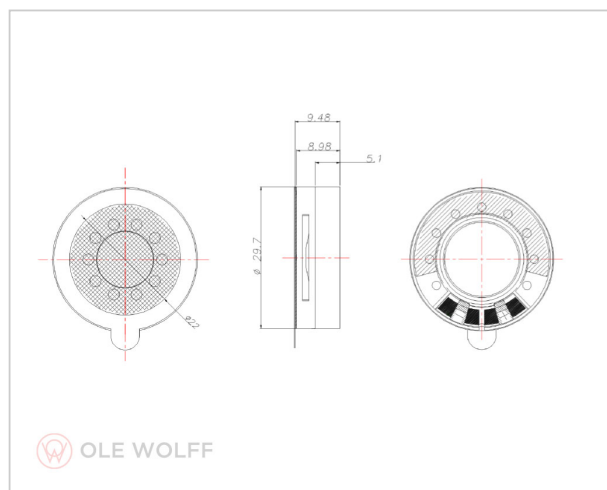


### Characteristics

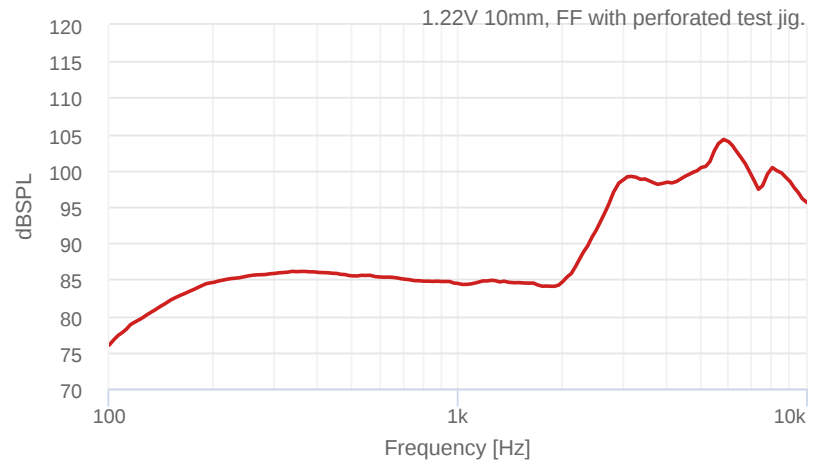
|                             |             |                                   |
|-----------------------------|-------------|-----------------------------------|
| <b>Size (ØxH) [mm]</b>      | 30.0x9.4    |                                   |
| <b>Sensitivity [dB SPL]</b> | 85.5±3dB    | [dB SPL@1kHz, 1.22V, FF test jig] |
| <b>Impedance [Ω]</b>        | 150         |                                   |
| <b>Power [mW]</b>           | 10.0 / 30.0 | Free field                        |
| <b>F0 [Hz]</b>              | 150         | ±30 Hz Free field                 |
| <b>Termination</b>          | Terminals   |                                   |

Specifications are subject to change without prior notice. Upon request Ole Wolff can supply further specifications, simulation parameters etc.

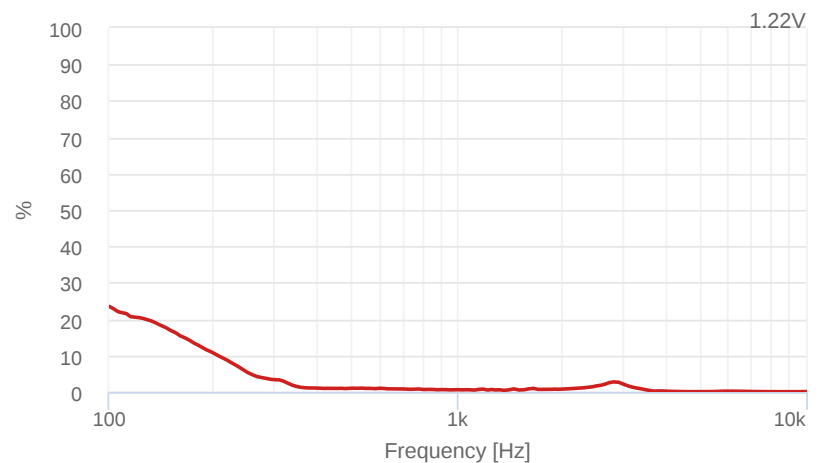
### Mechanical drawing



### Sound pressure level



### Total harmonic distortion



### Impedance

