

OWR-4007T-32C

Headphone driver

Headphone driver available in a range of variants subject to customers audio preference.

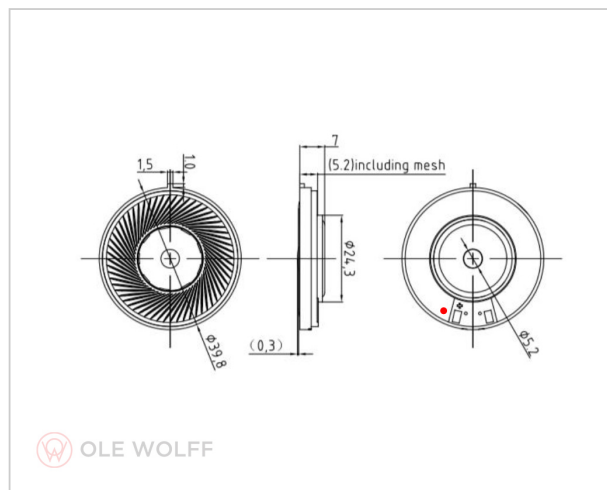


Characteristics

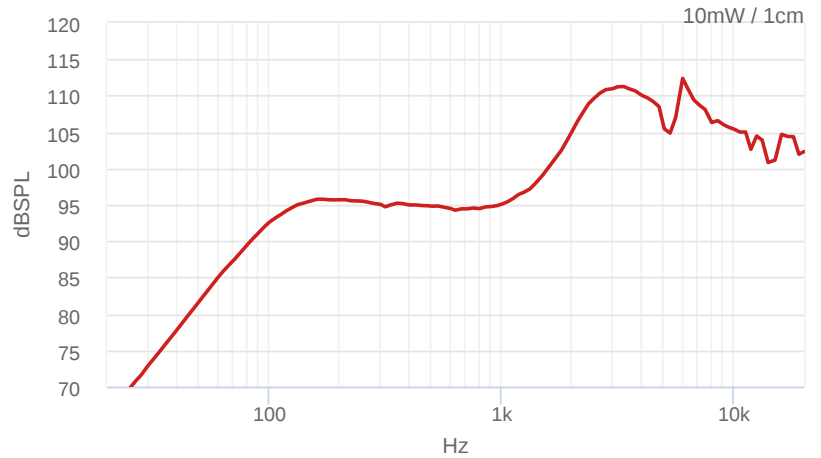
Size (ØxH) [mm]	39.8x7.0	
Sensitivity [dBSPL]	117.2±3dB	[dBSPL @1kHz, 1mW, IEC318]
Impedance [Ω]	36	
Power [mW]	10.0 / 30.0	Free field
F0 [Hz]	75	IEC318
Termination	Terminals	

Specifications are subject to change without prior notice. Upon request Ole Wolff can supply further specifications, simulation parameters etc.

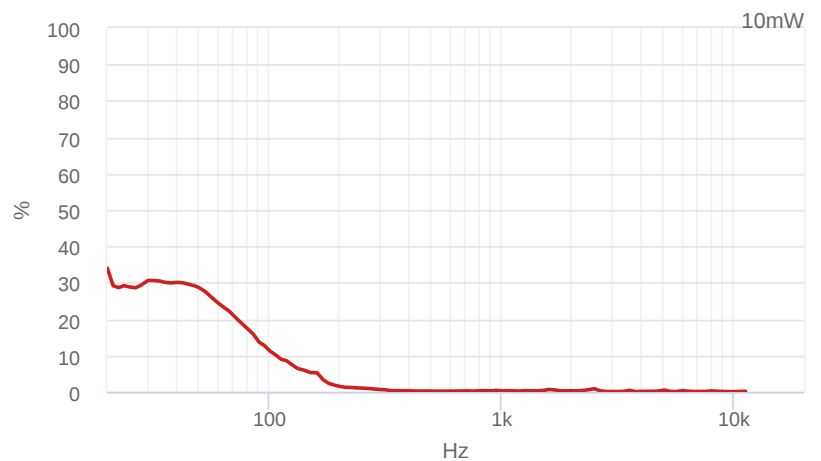
Mecanical drawing



Sound Pressure Level



Total Harmonic Distortion



Impedance

