

# OWRL-5088T-32

## Headphone driver

Full range driver aimed for music headphones.

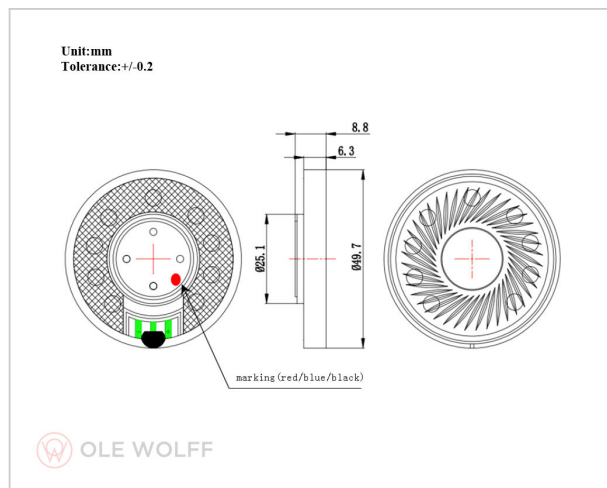


### Characteristics

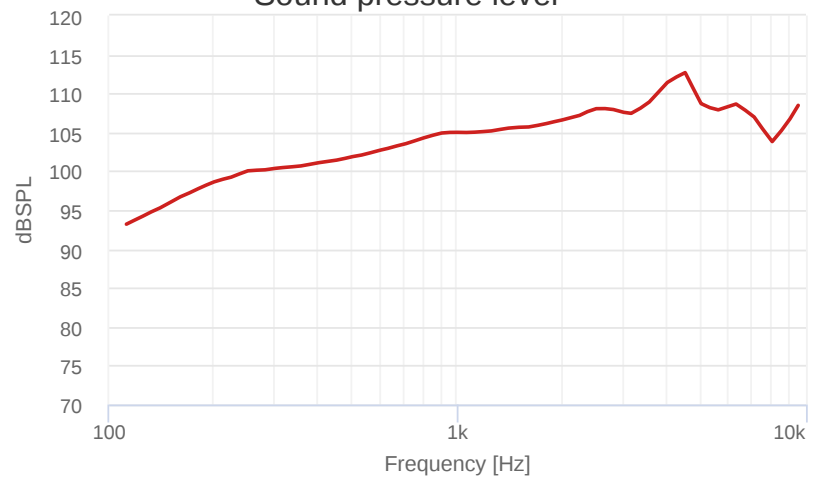
<b>Size (ØxH) [mm]</b>	50.0x8.8	
<b>Sensitivity [dB SPL]</b>	100.0±3dB	[dB SPL @1kHz, 1mW, 2cc]
<b>Impedance [Ω]</b>	32	
<b>Power [W]</b>	40.0 / 85.0	Free field
<b>F0 [Hz]</b>	100	Free field
<b>Termination</b>	Terminals	

Specifications are subject to change without prior notice. Upon request Ole Wolff can supply further specifications, simulation parameters etc.

### Mechanical drawing



### Sound pressure level



### Total harmonic distortion

