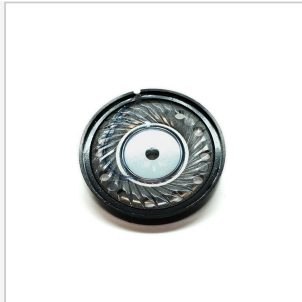


OWR-4069T-32NE

Headphone driver

Available in a range of variants subjects to customers audio preference.

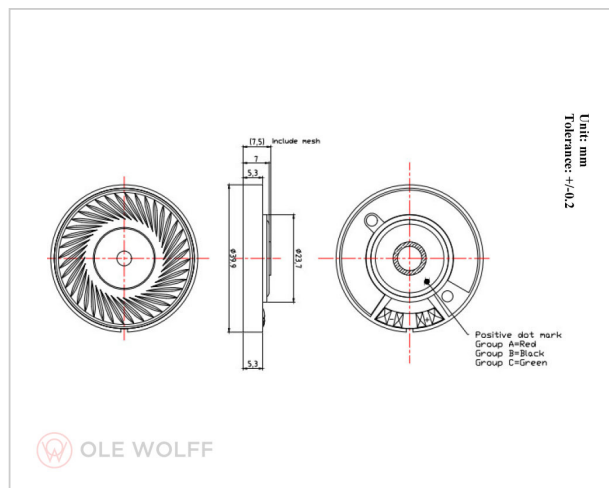


Characteristics

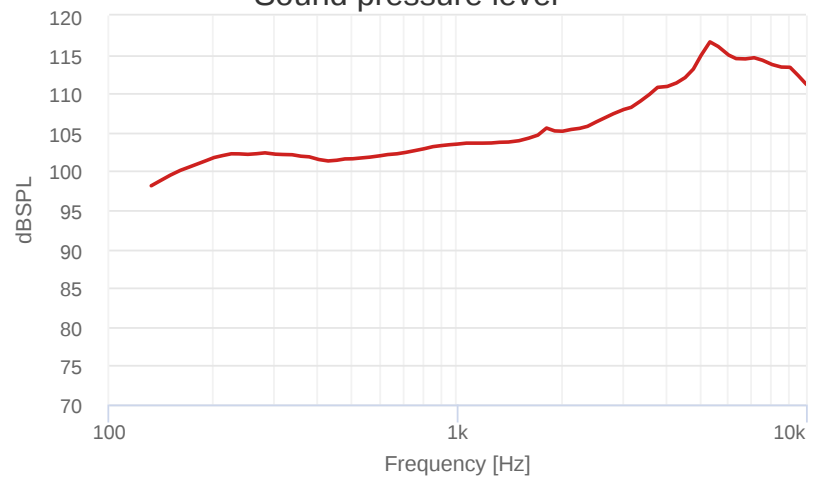
Size (ØxH) [mm]	40.0x6.9	
Sensitivity [dBSPL]	100.0±3dB	[dBSPL @1kHz, 1mW, 2cc]
Impedance [Ω]	32	
Power [W]	40.0 / 60.0	Free field
F0 [Hz]	145	Free field
Termination	Terminals	

Specifications are subject to change without prior notice. Upon request Ole Wolff can supply further specifications, simulation parameters etc.

Mecanical drawing



Sound pressure level



Total harmonic distortion

