

OWR-3255T-32F

On-ear headphone

Full range driver aimed for music headphones.

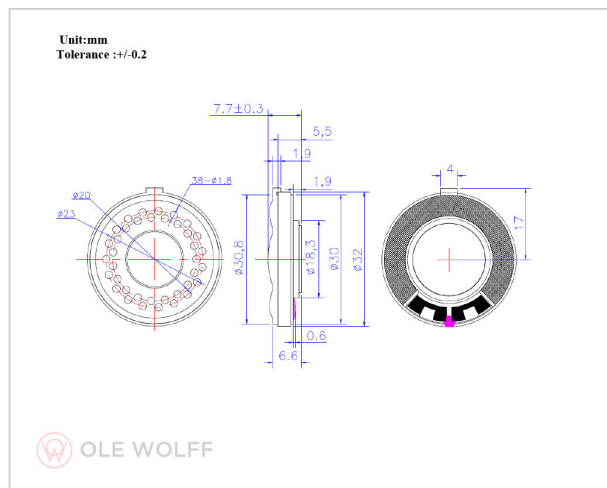


Characteristics

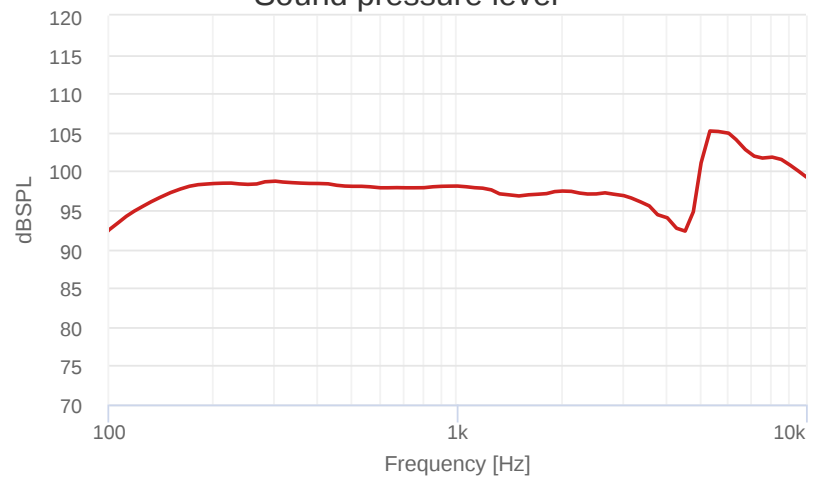
Size (ØxH) [mm]	32.0x5.5	
Sensitivity [dBSPL]	100.0±3dB	[dBSPL @1kHz, 1mW, 2cc]
Impedance [Ω]	32	
Power [W]	10.0 / 30.0	Free field
F0 [Hz]	150	Free field
Termination	Terminals	

Specifications are subject to change without prior notice. Upon request Ole Wolff can supply further specifications, simulation parameters etc.

Mechanical drawing



Sound pressure level



Total harmonic distortion

