

OWR-2349T-150A

On-ear headphone driver

Optimized for wideband. HAC compatible.

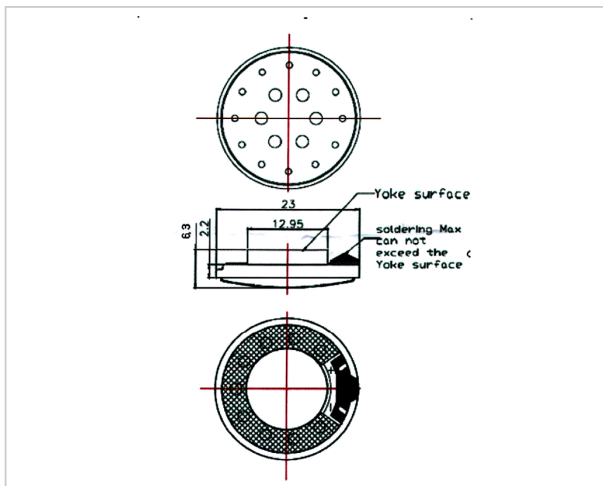


Characteristics

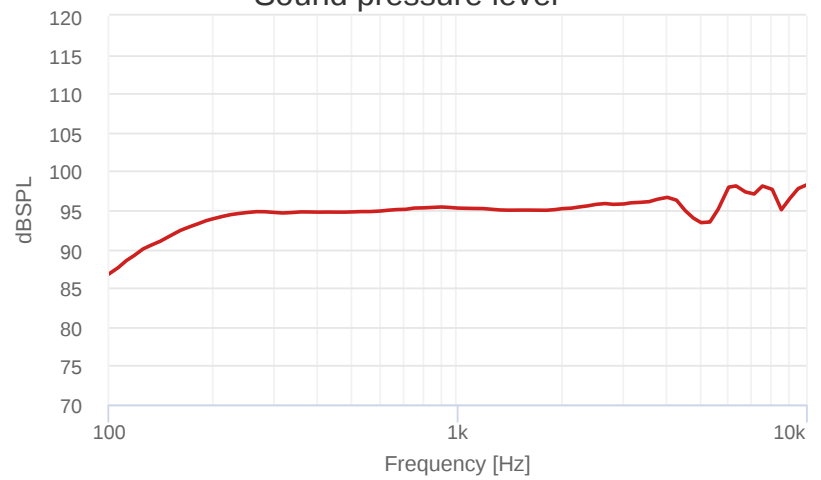
Size (ØxH) [mm]	23.0x6.2	
Sensitivity [dBSPL]	100.0±3 dB	[dBSPL @1kHz, 1mW, 2cc]
Impedance [Ω]	150	
Power [W]	10.0 / 30.0	Free field
F0 [Hz]	200	Free field
Termination	Terminal	

Specifications are subject to change without prior notice. Upon request Ole Wolff can supply further specifications, simulation parameters etc.

Mechanical drawing



Sound pressure level



Total harmonic distortion

