

OWR-0860T-16

In-ear driver, full range

Available in a range of variants subjects to customers audio preference.

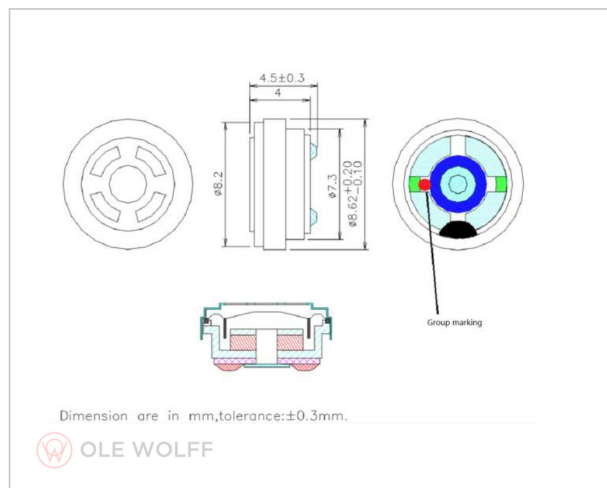


Characteristics

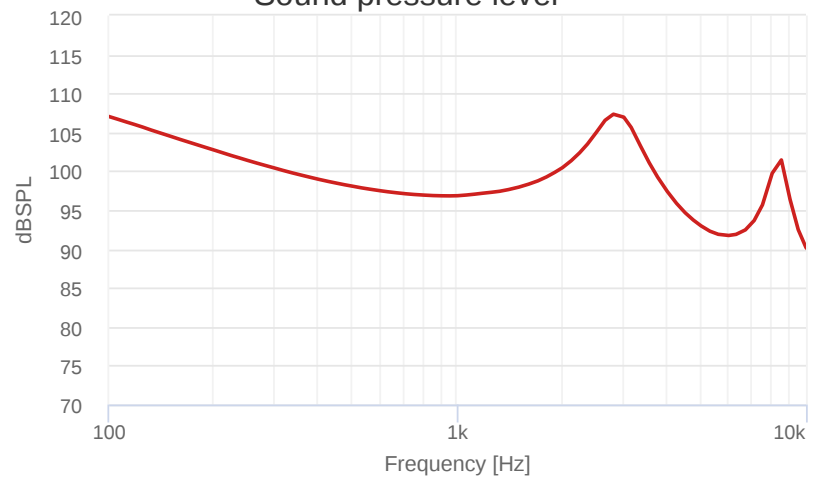
| | | |
|----------------------------|------------|-------------------------|
| Size (ØxH) [mm] | 8.6x4.5 | |
| Sensitivity [dBSPL] | 100.0±3dB | [dBSPL @1kHz, 1mW, 2cc] |
| Impedance [Ω] | 16 | |
| Power [W] | 5.0 / 10.0 | Free field |
| F0 [Hz] | 3100 | Free field |
| Termination | Terminals | |

Specifications are subject to change without prior notice. Upon request Ole Wolff can supply further specifications, simulation parameters etc.

Mecanical drawing



Sound pressure level



Total harmonic distortion

