

# OWR-05049T-38D

## In-ear driver, full range

High bass driver based on our patent pending DDD technology ensuring large piston area.

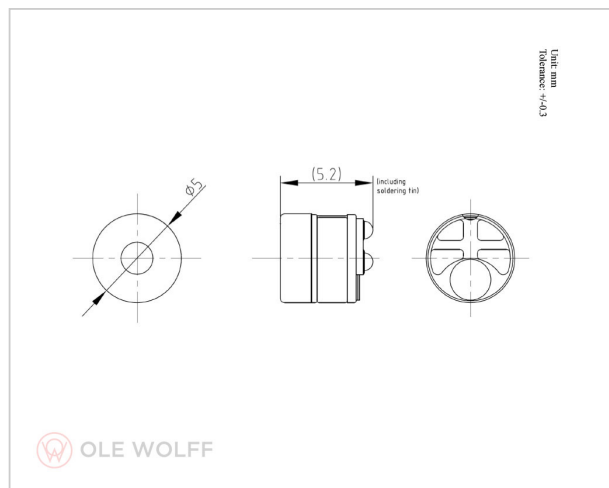


### Characteristics

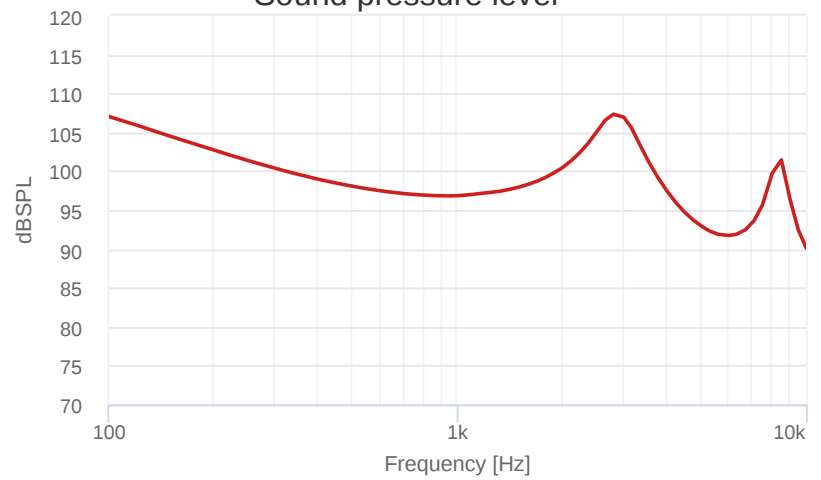
<b>Size (ØxH) [mm]</b>	5.0x4.9	
<b>Sensitivity [dBSPL]</b>	100.0±3dB	[dBSPL @1kHz, 1mW, 2cc]
<b>Impedance [Ω]</b>	38	
<b>Power [W]</b>	5.0 / 10.0	Free field
<b>F0 [Hz]</b>	3000	Free field
<b>Termination</b>	Terminals	

Specifications are subject to change without prior notice. Upon request Ole Wolff can supply further specifications, simulation parameters etc.

### Mecanical drawing



### Sound pressure level



### Total harmonic distortion

