

OWS-323216T-4

High power speaker

High power speaker with spider. Available with lead wires.

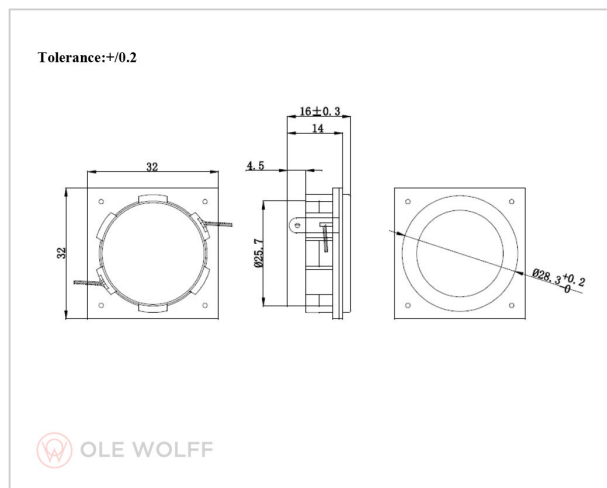


Characteristics

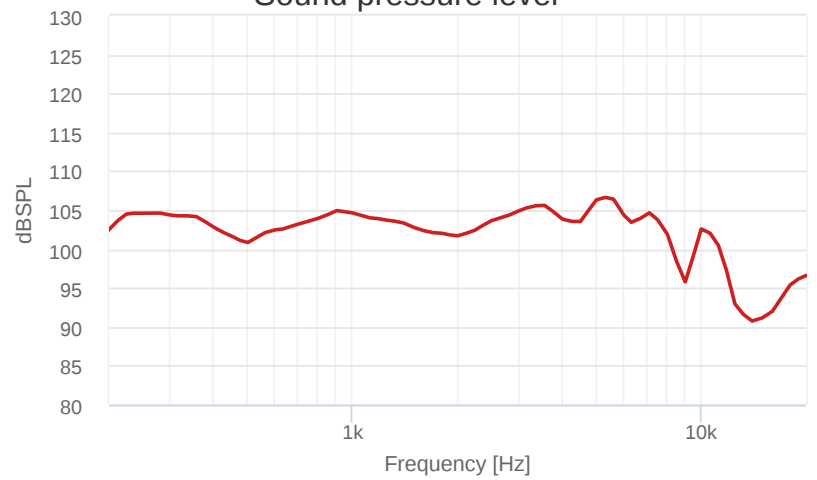
Size (ØxH) [mm]	32.0x16.0	
Sensitivity [dBSPL]	76.0±3 dB	1W/1m, free air
Impedance [Ω]	4	
Power [W]	2.0 / 3.0	nom / max, free air
F0 [Hz]	220	Free air
Termination	Terminals	

Specifications are subject to change without prior notice. Upon request Ole Wolff can supply further specifications, simulation parameters etc.

Mechanical drawing



Sound pressure level



Total harmonic distortion

