

OWS-2861T-4

High power speaker

Small form factor and high power speaker. Also available with lead wires.

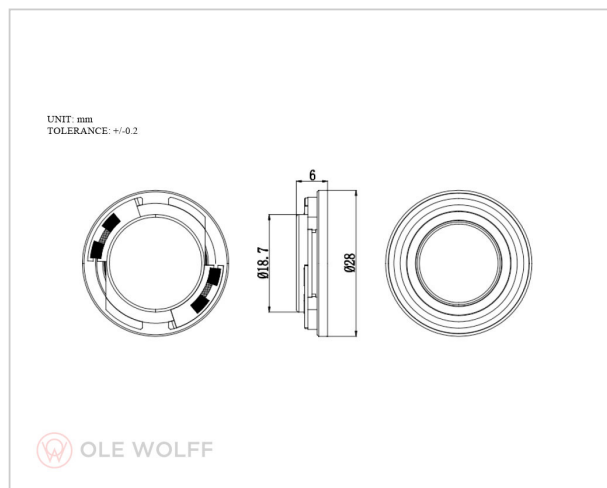


Characteristics

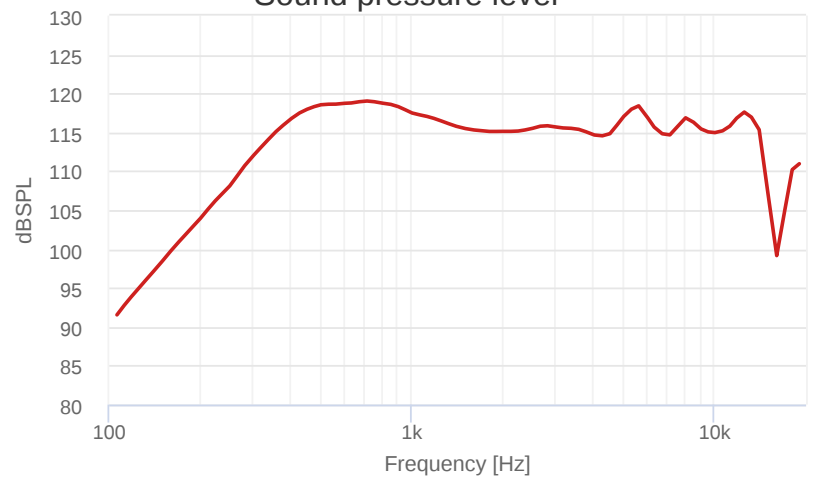
Size (ØxH) [mm]	28.0x6.0	
Sensitivity [dB SPL]	77.0±3 dB	1W/1m, free air
Impedance [Ω]	4	
Power [W]	2.5 / 3.5	nom / max, free air
F0 [Hz]	430	Free air, ±20%
Termination	Terminals	

Specifications are subject to change without prior notice. Upon request Ole Wolff can supply further specifications, simulation parameters etc.

Mechanical drawing



Sound pressure level



Total harmonic distortion

