

OWS-484833TA-4

High power speaker

High power, full range speaker optimized for high bandwidth (120Hz to 20kHz) with a very linear frequency response and very low THD.

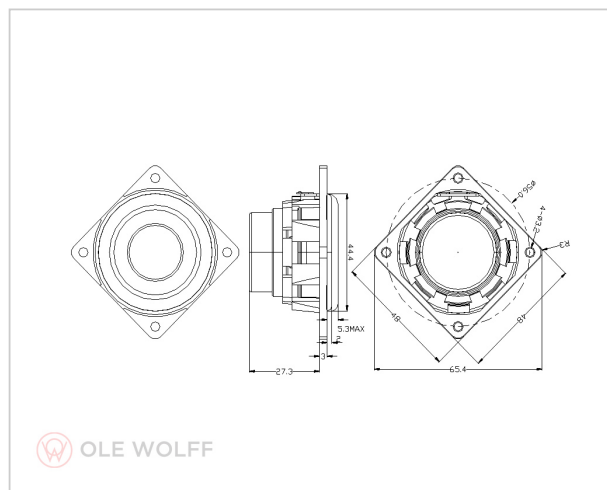


Characteristics

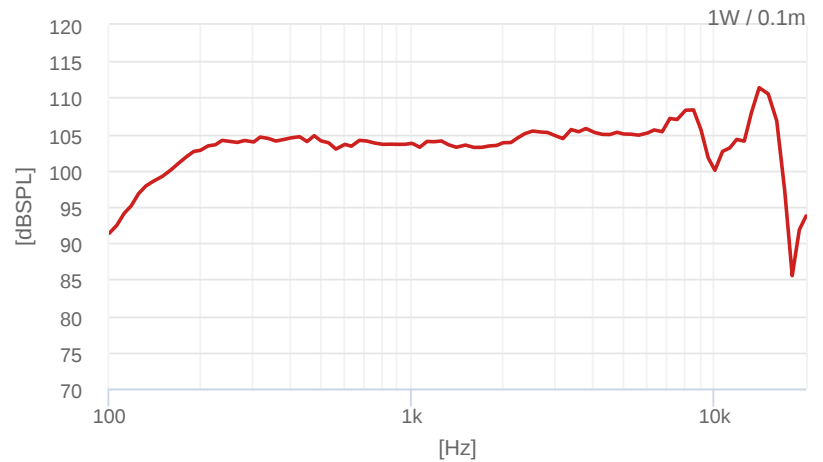
Size (ØxH) [mm]	48.0x33.0	
Sensitivity [dBSPL]	83.0±3 dB	1W/1m, free air
Impedance [Ω]	4	
Power [W]	6.0 / 8.0	nom / max, free air
F0 [Hz]	160	Free air
Termination	Terminals	

Specifications are subject to change without prior notice. Upon request Ole Wolff can supply further specifications, simulation parameters etc.

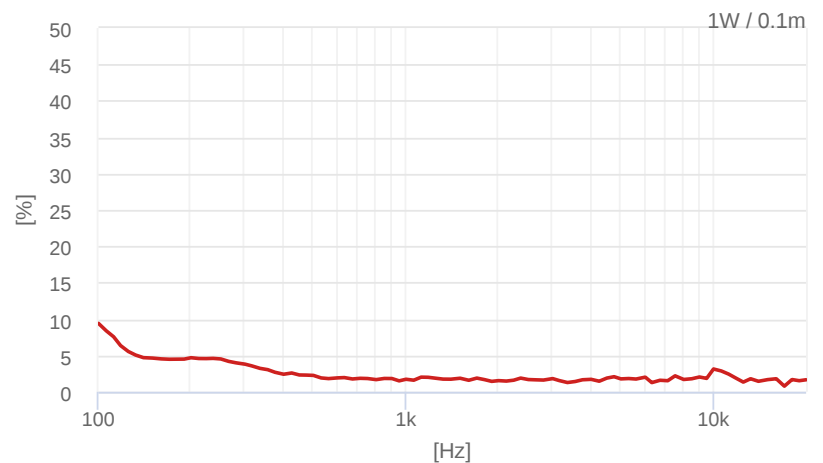
Mechanical drawing



Sound Pressure Level



Total Harmonic Distortion



Impedance

