

# OWR-1202T-32A

## For earbuds

Earbud / inear driver with outstanding performance in a very small and slim package. Capable of extreme sound pressure levels with vanishing low distortion. IPx7 compliance (optional).

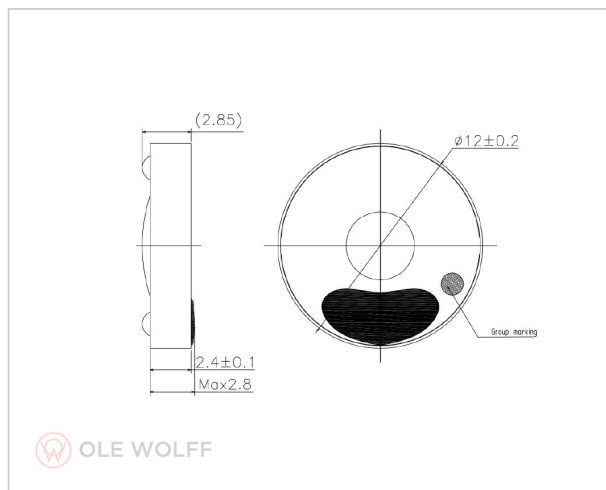


## Characteristics

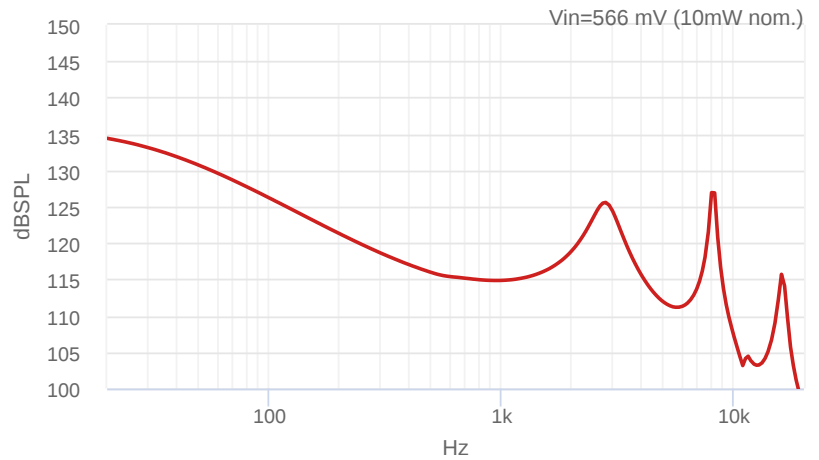
|                            |            |                           |
|----------------------------|------------|---------------------------|
| <b>Size (ØxH) [mm]</b>     | 12.0x2.9   |                           |
| <b>Sensitivity [dBSPL]</b> | 103.0±3dB  | [dBSPL@1kHz, 179 mV, 2cc] |
| <b>Impedance [Ω]</b>       | 32         |                           |
| <b>Power [W]</b>           | 5.0 / 10.0 | Free field                |
| <b>F0 [Hz]</b>             | 2800       | Free field                |
| <b>Termination</b>         | Terminals  |                           |

Specifications are subject to change without prior notice. Upon request Ole Wolff can supply further specifications, simulation parameters etc.

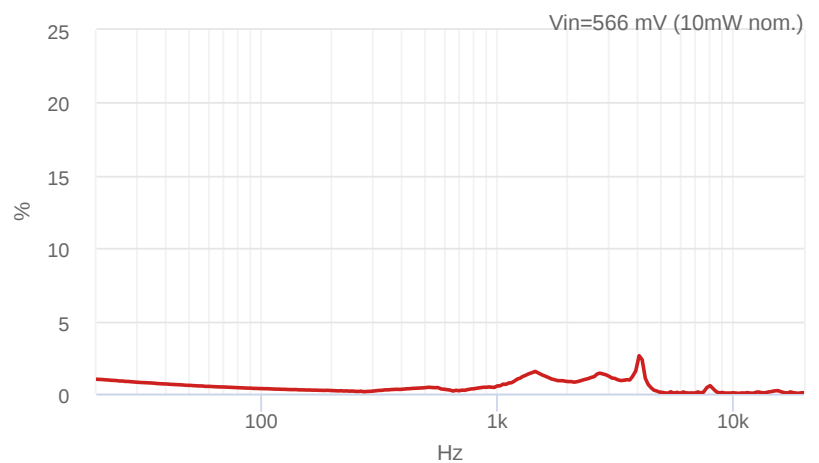
## Mecanical drawing



## SPL



## THD



## Impedance

