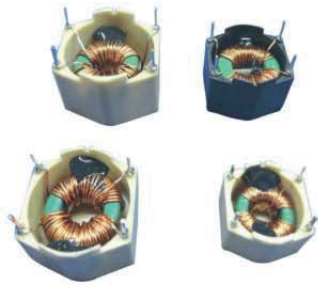


OWLPTWK TYPE



FEATURES

Insulation Resistance:
100MΩ at 500VDC
High Reliability
Rated Voltage:
100 to 270V/ 50-60Hz

APPLICATIONS

Power Inductors
Communication
Household appliances
Electronic toys and games.

NUMBERING SYSTEM

Example: **OWLPTWK1495-A10-102**

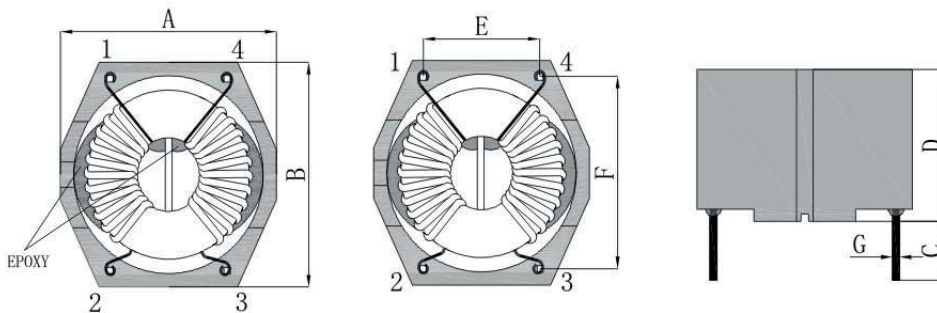
OWLPTWK1495 - Series Name
A10 - Material
102 - Inductance

ELECTRICAL CHARACTERISTIC

Series Name	Inductance (mH)	DCR(max) (Ω)	I (RMS) (A)	Series Name	Inductance (mH)	DCR(max) (Ω)	I (RMS) (A)
OWLPTWK1264	1.0~10.0	20m~435m	0.30~2.30				
OWLPTWK1695	1.0~10.0	12m~150m	1.00~5.00				
OWLPTWK18107	1.0~10.0	10m~115m	1.60~6.00				

MECHANICAL DIMENSIONS

Unit: mm



Core: Mn-Zn Ferrite

Wire: UEW-NY or PEW Wire

Series Name	A(max)	B(max)	C(±0.5)	D(max)	E(±0.5)	F(±0.5)	G(±0.1)
OWLPTWK1264	18.0	18.0	3.0	13.0	10.0	15.0	0.7
OWLPTWK1695	22.9	22.9	3.0	15.2	12.5	20.0	0.7
OWLPTWK18107	28.0	28.0	3.0	18.0	15.0	25.0	0.7

GENERAL CONDITION

Operating temperature range: -55°C to +125°C(include coil heat)
Storage temperature range: -40°C to +40°C
Test Frequency: 100KHz,0.25V

The above spec is for material A10 only. We can also custom wind using other materials such as A05, and A07. Please contact us for custom spec parts to meet your needs.