

OWLPTK TYPE



FEATURES

Insulation Resistance:
100M Ω at 500VDC
High Reliability
Rated Voltage:
100 to 270V/ 50-60Hz

APPLICATIONS

Power Inductors
Communication
Household appliances
Electronic toys and games.

NUMBERING SYSTEM

Example: **OWLPTK1495-A10-102**

OWLPTK1495 - Series Name

A10 - Material

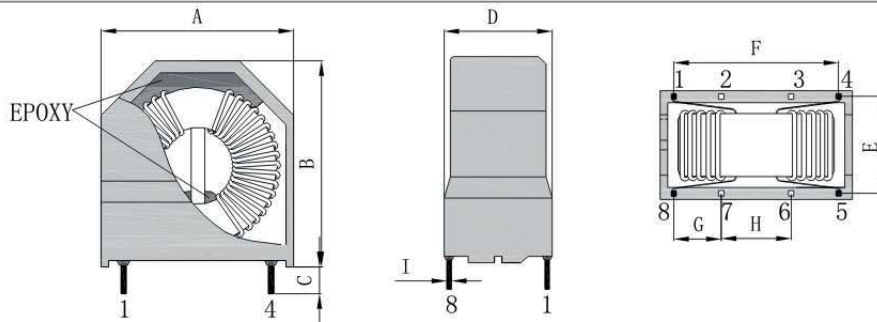
102 - Inductance

ELECTRICAL CHARACTERISTIC

Series Name	Inductance (mH)	DCR(max) (Ω)	I (RMS) (A)	Series Name	Inductance (mH)	DCR(max) (Ω)	I (RMS) (A)
OWLPTK1264	1.0~47.0	25m~2.35	0.16~2.30	OWLPTK22148	1.0~47.0	7m~250m	1.60~10.0
OWLPTK1495	1.0~47.0	15m~1.54	0.30~4.00	OWLPTK251510	1.0~47.0	5m~192m	2.30~16.0
OWLPTK1695	1.0~47.0	12m~570m	0.60~5.00	OWLPTK251512	1.0~47.0	5m~200m	2.30~16.0
OWLPTK18107	1.0~47.0	8m~330m	1.00~7.00	OWLPTK311913	1.0~47.0	4.5m~142m	4.00~20.0

MECHANICAL DIMENSIONS

Unit: mm



Core: Mn-Zn Ferrite

Wire: UEW-NY or PEW Wire

Series Name	A(max)	B(max)	C(± 0.5)	D(max)	E(± 0.5)	F(± 0.5)	G(± 0.5)	H(± 0.5)	I(± 0.1)
OWLPTK1264	18.5	20.5	3.0	13.5	10.0	15.0	5.0	5.0	0.7
OWLPTK1495	23.5	25.5	3.0	16.0	12.5	20.0	5.0	10.0	0.7
OWLPTK1695	23.5	25.5	3.0	16.0	12.5	20.0	5.0	10.0	0.7
OWLPTK18107	27.5	30.5	3.0	18.5	15.0	22.5	5.0	12.5	0.7
OWLPTK22148	32.5	35.5	3.0	18.5	15.0	27.5	7.5	12.5	0.7
OWLPTK251510	35.5	37.5	3.0	23.5	20.0	30.0	7.5	15.0	0.7
OWLPTK251512	35.5	37.5	3.0	23.5	20.0	30.0	7.5	15.0	0.7
OWLPTK311913	42.5	45.5	3.0	28.5	25.0	40.0	7.5	25.0	0.7

GENERAL CONDITION

Operating temperature range: -55 $^{\circ}$ C to +125 $^{\circ}$ C(include coil heat)

Storage temperature range: -40 $^{\circ}$ C to +40 $^{\circ}$ C

Test Frequency: 100KHz,0.25V

The above spec is for material A10 only. We can also custom wind using other materials such as A05, and A07. Please contact us for custom spec parts to meet your needs.