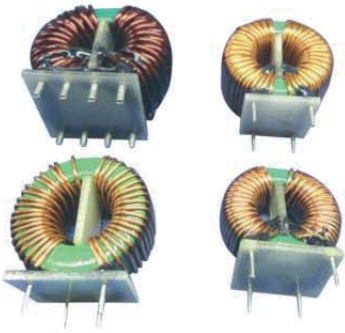


OWLPT TYPE



FEATURES

Insulation Resistance:
100M Ω at 500VDC
High Reliability
Rated Voltage:
100 to 270V/ 50-60Hz

APPLICATIONS

Power Inductors
Communication
Household appliances
Electronic toys and games.

NUMBERING SYSTEM

Example: **OWLPT1264-A10-102**

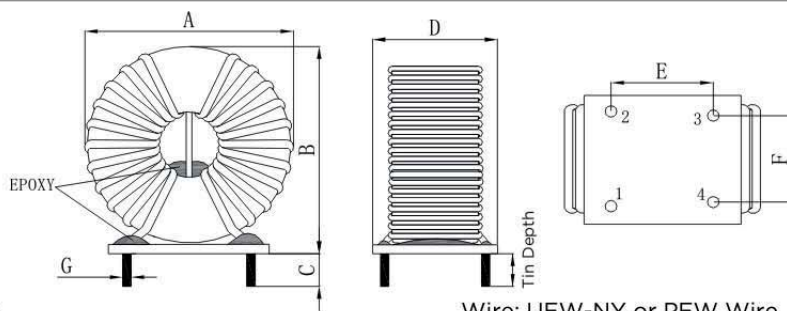
OWLPT1264 - Series Name
A10 - Material
102 - Inductance

ELECTRICAL CHARACTERISTIC

Series Name	Inductance (mH)	DCR(max) (Ω)	I (RMS) (A)	Series Name	Inductance (mH)	DCR(max) (Ω)	I (RMS) (A)
OWLPT1264	1.0~10.0	25m~435m	0.3~2.3	OWLPT221410	1.0~10.0	6m~75m	3.0~14.0
OWLPT1495	1.0~10.0	15m~296m	0.6~4.0	OWLPT251510	1.0~10.0	5m~48m	4.0~16.0
OWLPT1695	1.0~10.0	12m~150m	1.0~5.0	OWLPT251512	4.7~10.0	20m~50m	5.0~8.0
OWLPT18107	1.0~10.0	8m~115m	1.6~7.0	OWLPT311913	4.7~10.0	15m~30m	8.0~10.0
OWLPT22148	1.0~10.0	6m~80m	2.7~10.0	OWLPT372215	5.6~10.0	15m~25m	10.0~16.0

MECHANICAL DIMENSIONS

Unit: mm



Core: Mn-Zn Ferrite

Wire: UEW-NY or PEW Wire

Series Name	A(max)	B(max)	C(ref)	D(max)	E(ref)	F(ref)	G(max)
OWLPT1264	15.5	16.0	5.0	8.0	6.0	6.0	Φ 0.6
OWLPT1495	18.0	18.0	5.0	10.0	7.0	7.0	Φ 0.8
OWLPT1695	21.0	21.0	5.0	11.0	7.0	7.0	Φ 0.9
OWLPT18107	23.0	24.5	5.0	13.0	10.0	10.0	Φ 1.0
OWLPT22148	28.0	27.5	5.0	15.0	10.0	11.0	Φ 1.3
OWLPT221410	29.0	28.0	5.0	17.0	10.0	14.0	Φ 1.5
OWLPT251510	33.0	32.0	5.0	19.0	11.0	14.0	Φ 1.6
OWLPT251512	33.0	34.0	5.0	21.0	14.0	18.0	Φ 1.4
OWLPT311913	38.0	37.0	5.0	22.0	17.0	18.0	Φ 1.4
OWLPT372215	45.0	45.0	5.0	26.0	18.0	22.0	Φ 1.6

GENERAL CONDITION

Operating temperature range:	-55 $^{\circ}$ C to +125 $^{\circ}$ C(include coil heat)
Storage temperature range:	-40 $^{\circ}$ C to +40 $^{\circ}$ C
Test Frequency:	100KHz,0.25V

The above spec is for material A10 only. We can also custom wind using other materials such as A05, and A07. Please contact us for custom spec parts to meet your needs.