

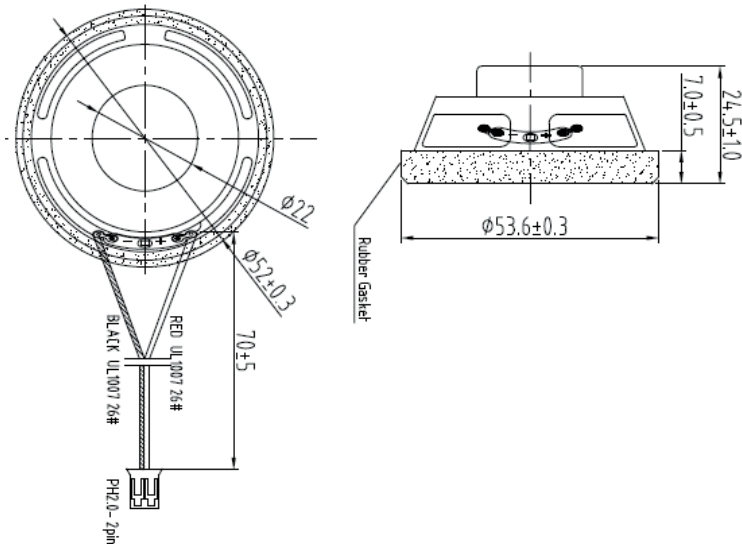


### CHARACTERISTICS

Impedance [ $\Omega$ ]	4 $\pm$ 15% @ 1 kHz, 1.0V
SPL [dB rel 20 $\mu$ Pa]	113.5 $\pm$ 3dB (1W/20 mm/1 kHz)
Resonance Frequency [Hz]	180 $\pm$ 20%
Total Harmonic Distortion [%]	< 5%Max (@ 1.0 kHz/0.5W/0.5M)
Input Power (nom./max) [W]	1 / 2
Termination*	Wire / connector

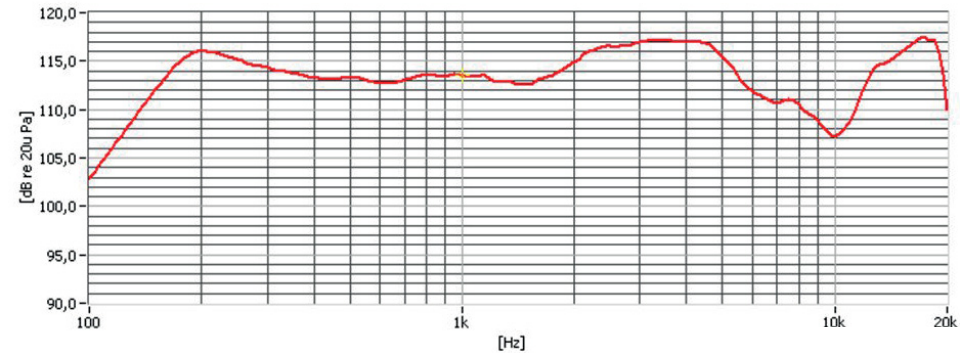
\*For other termination options please contact sales@owolff.com or your local Ole Wolff representative.

### PHYSICAL DIMENSIONS [mm]



### GRAPHS

Test conditions: 1W/2 cm



The listed product information and data is given in good faith but without warranty.