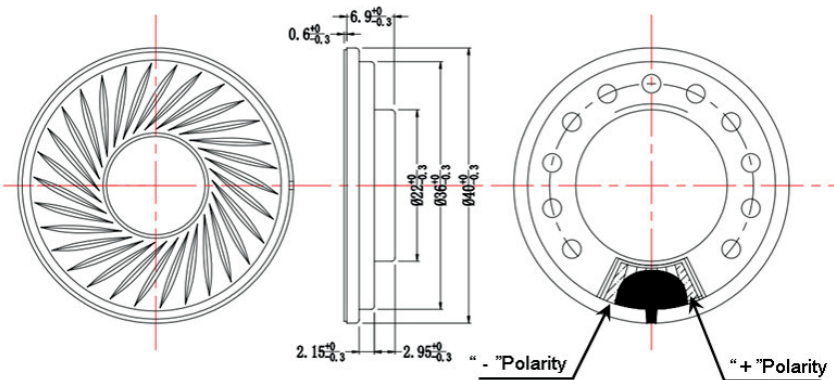


CHARACTERISTICS

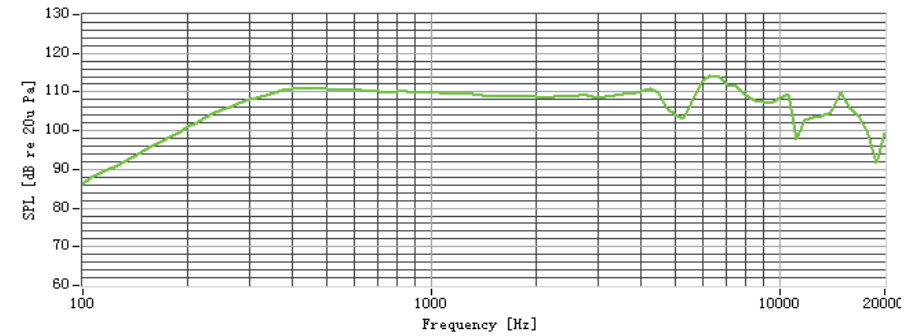
Impedance [Ω]	$8 \pm 15\%$ @ 1 kHz
SPL [dB rel 20 μ Pa]	112 ± 3 dB(0.89V/0.01m/1kHz)
Resonance Frequency [Hz]	400 $\pm 20\%$
Total Harmonic Distortion [%]	As shown in graph, 1kHz < 5%
Input Power (nom./max) [W]	2 / 2.5
Termination*	Terminals

*For other termination options please contact sales@owolff.com or your local Ole Wolff representative.

PHYSICAL DIMENSIONS [mm]



GRAPHS



F&R	200	300	400	1000	2000	4000	5000	6000	7000	10000	Hz
UP	+4	+3	+3	+3	+3	+5	+5	+6	+6	+6	dB
LOW	-4	-3	-3	-3	-3	-5	-5	-6	-6	-6	dB

Distortion

