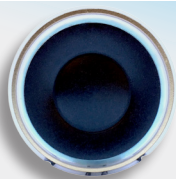




DYNAMIC SPEAKER OWS-4012CW-8



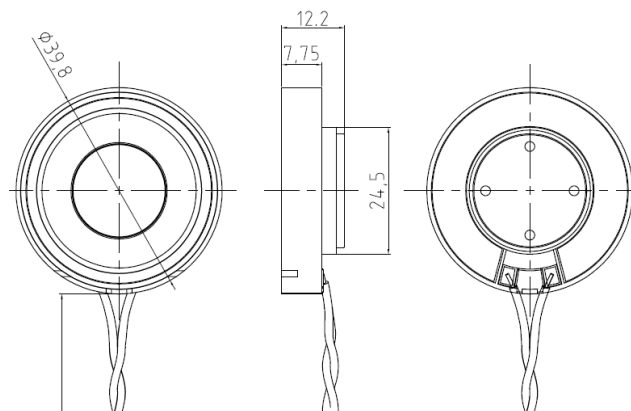
The OWS-4012CW-8 wideband speaker. Targeted for IoT devices and speech applications requiring superior THD performance.

CHARACTERISTICS

Impedance [Ω]	7.2 \pm 15% @ 1.5 kHz
SPL [dB rel 20 μ Pa]	90 \pm 3 @ 1kHz/ 0.895 Vrms / 10cm
Resonance Frequency [Hz]	250 \pm 25% 0.895 Vrms
Total Harmonic Distortion [%]	As shown in graph
Input Power (nom./max) [W]	2 / 3
Termination*	Wire and connector

*For other termination options please contact sales@owolff.com or your local Ole Wolff representative.

PHYSICAL DIMENSIONS [mm]



40mm wideband speaker

FEATURES

- Superior THD performance at high SPL
- Low resonance
- Covers a wide frequency range
- Very good for speech applications

GRAPHS

Test conditions: 0.895V / 10cm

