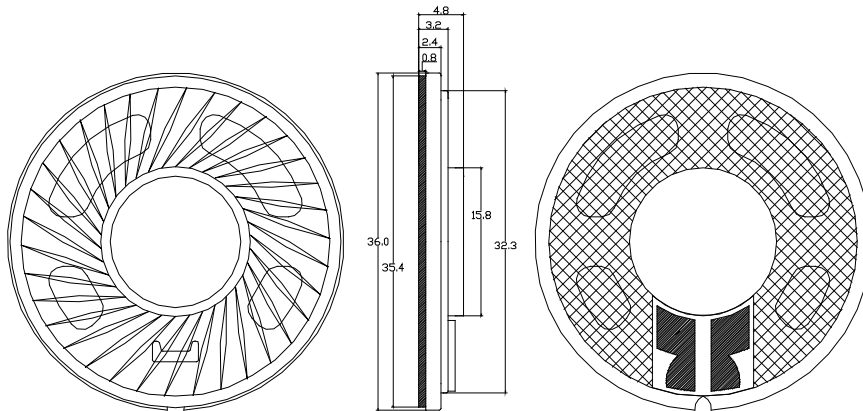


CHARACTERISTICS

Impedance [Ω]	$8 \pm 15\%$
SPL [dB rel 20 μ Pa]	100 ± 3 (0.8W/0.1m/1 kHz)
Resonance Frequency [Hz]	$390 \pm 20\%$
Total Harmonic Distortion [%]	< 5% @ 1 kHz (0.8W)
Input Power (nom./max) [W]	0.8 / 1
Termination*	Terminals

*For other termination options please contact sales@owolff.com or your local Ole Wolff representative.

PHYSICAL DIMENSIONS [mm]



GRAPHS

