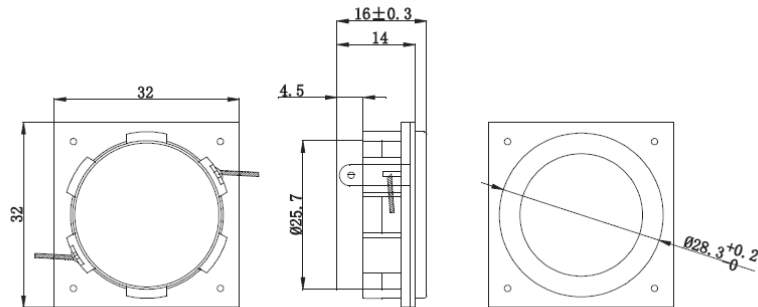


CHARACTERISTICS

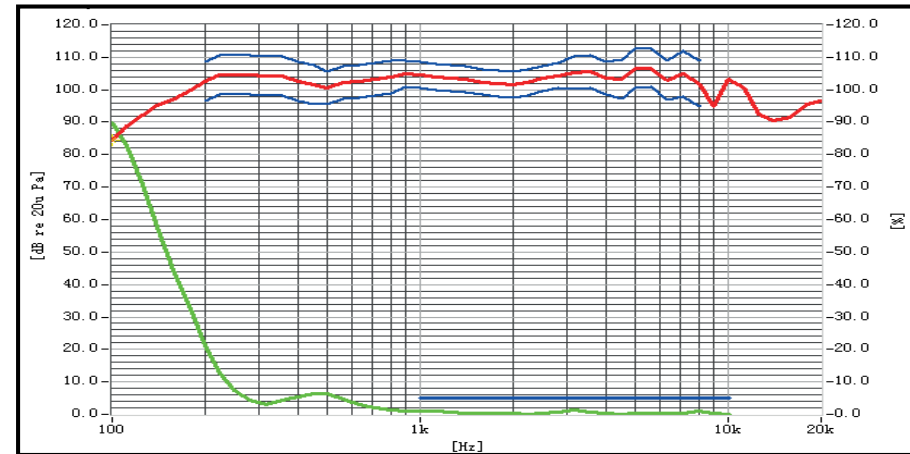
Impedance [Ω]	$4 \pm 15\%$
SPL [dB rel 20 μ Pa]	105 ± 3 dB (2W/5cm) at 1 kHz
Resonance Frequency [Hz]	220 $\pm 20\%$
Total Harmonic Distortion [%]	As shown in graph
Input Power (nom./max) [W]	2 / 3
Termination*	Terminals

*For other termination options please contact sales@owolff.com or your local Ole Wolff representative.

PHYSICAL DIMENSIONS [mm]



GRAPHS



F&R Mask:

F.point	200	224	250	280	315	355	400	450	500	560	630	710	800	Hz
Upper limit	+6	+6	+6	+6	+6	+6	+6	+6	+6	+5	+5	+5	+5	dB
Lower limit	-6	-6	-6	-6	-6	-6	-6	-6	-6	-5	-5	-5	-5	dB

F.point	900	1k	1.12k	1.25k	1.4k	1.6k	1.8k	2k	2.24k	2.5k	2.8k	3.15k	3.55k	Hz
Upper limit	+4	+4	+4	+4	+4	+4	+4	+4	+4	+4	+4	+5	+5	dB
Lower limit	-4	-4	-4	-4	-4	-4	-4	-4	-4	-4	-4	-5	-5	dB

F.point	4k	4.5k	5k	5.6k	6.3k	7.1k	8k	Hz
Upper limit	+5	+6	+6	+6	+6	+7	+7	dB
Lower limit	-5	-6	-6	-6	-6	-7	-7	dB

THD Mask:

F.point	1k	10k	Hz
Upper limit	5%	5%	%