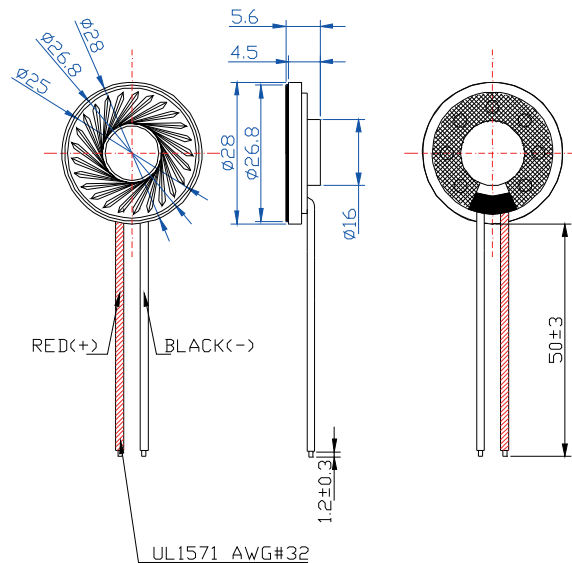


CHARACTERISTICS

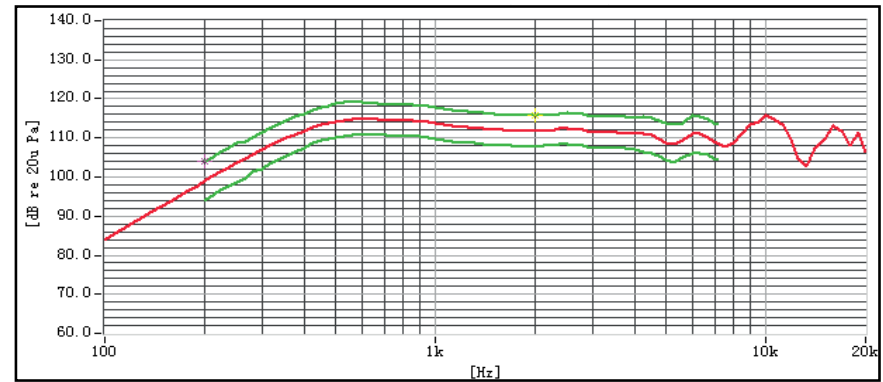
Impedance [Ω]	$8 \pm 15\%$
SPL [dB rel 20 μ Pa]	115 ± 3 (0.5W/10mm) @ 1 kHz
Resonance Frequency [Hz]	$450 \pm 20\%$
Total Harmonic Distortion [%]	<5% @ 1 kHz, please refer to graph
Input Power (nom./max) [W]	0.5 / 1
Termination*	Wires

*For other termination options please contact sales@owolff.com or your local Ole Wolff representative.

PHYSICAL DIMENSIONS [mm]



GRAPHS



F.Point	200	400	500	630	1k	2k	3.15k	4.5k	5.2k	6.3k	7.1k	Hz
Upper Limit	5	4	4	4	3	3	4	5	5	5	5	dB
Lower Limit	-5	-4	-4	-4	-3	-3	-4	-5	-5	-5	-5	dB

