

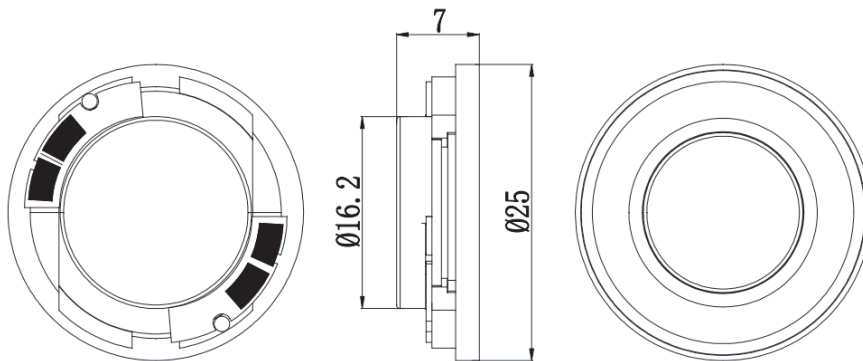


### CHARACTERISTICS

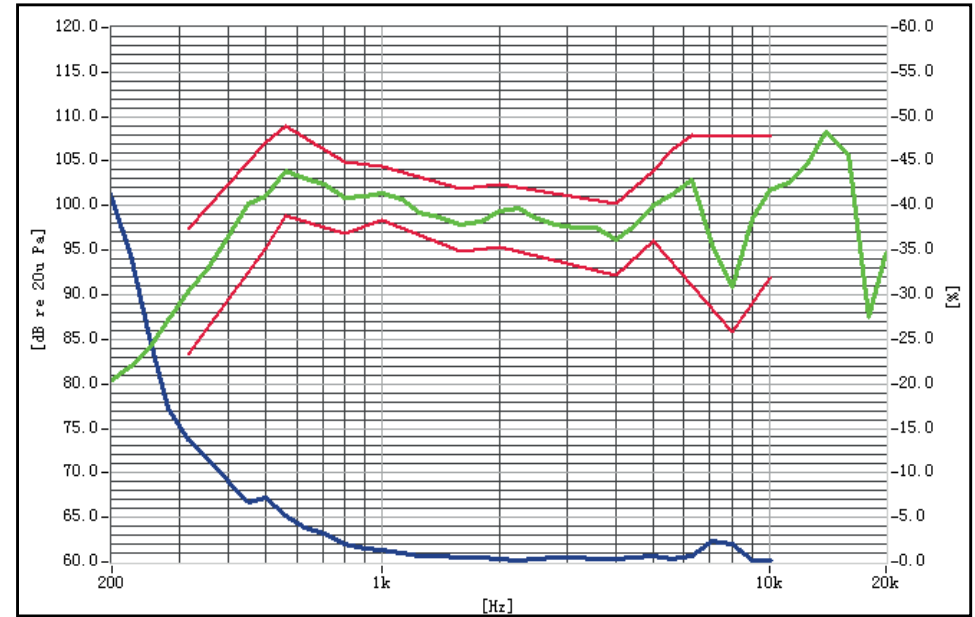
Impedance [ $\Omega$ ]	4.3 $\pm$ 15% (at 2 kHz)
SPL [dB rel 20 $\mu$ Pa]	101 $\pm$ 3 at 1 kHz, input 1W / 0.1m
Resonance Frequency [Hz]	550 $\pm$ 20%, input 1W
Total Harmonic Distortion [%]	As shown in graph
Input Power (nom./max) [W]	2.0 / 3.0
Termination*	Terminals

\*For other termination options please contact sales@owolff.com or your local Ole Wolff representative.

### PHYSICAL DIMENSIONS [mm]



### GRAPHS



### F&R Mask:

F. Point	300	500	560	800	1k	1.6k	2k	4k	5.0k	6.3k	8k	10k	Hz
Upper Limit	+7	+6	+5	+4	+3	+4	+3	+4	-	+5	-	+6	dB
Lower Limit	-7	-6	-5	-4	-3	-3	-4	-4	-4	-	-5	-10	dB