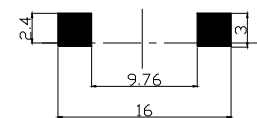
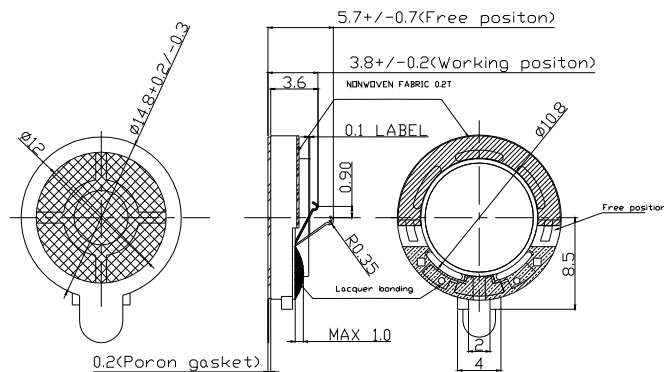


CHARACTERISTICS

Impedance [Ω]	$8 \pm 15\%$ (at 1V 2 kHz)
SPL [dB rel 20 μ Pa]	117 ± 3 dB (0.8W / 10 mm) average @ 0.8 kHz-1.5 kHz
Resonance Frequency [Hz]	850 $\pm 20\%$ at 0.8W
Total Harmonic Distortion [%]	Upper limit for THD: 1kHz=30%, 2kHz=10%, 4.5 kHz=10% Input 2.53V
Input Power (nom./max) [W]	0.8 / 1
Termination*	Leaf spring

*For other termination options please contact sales@owolff.com or your local Ole Wolff representative.

PHYSICAL DIMENSIONS [mm]



RECOMMENDED PCB TYPE

GRAPHS

