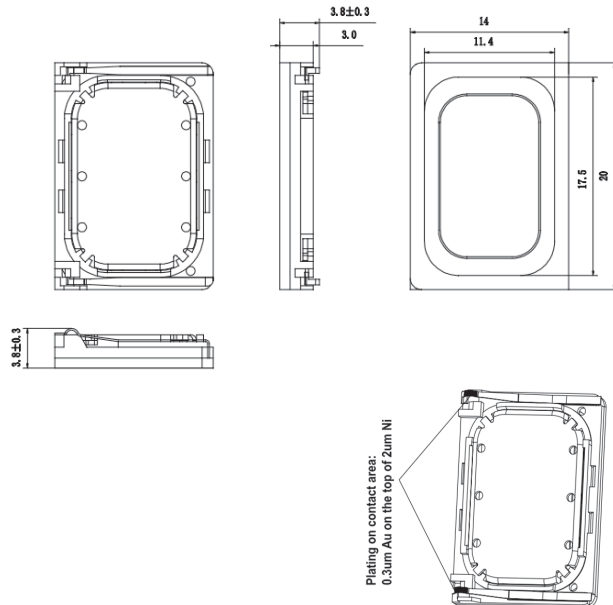


CHARACTERISTICS

Impedance [Ω]	$8 \pm 15\%$ @ 2kHz
SPL [dB rel 20 μ Pa]	111 ± 3 @ 2kHz, 2V /0.01m in 1.5cc box
Resonance Frequency [Hz]	950 $\pm 20\%$ in 1.5cc box 2.0v input
Total Harmonic Distortion [%]	As shown in graph
Input Power (nom./max) [W]	0.5 / 1 in 1.5cc box
Termination*	Leaf spring

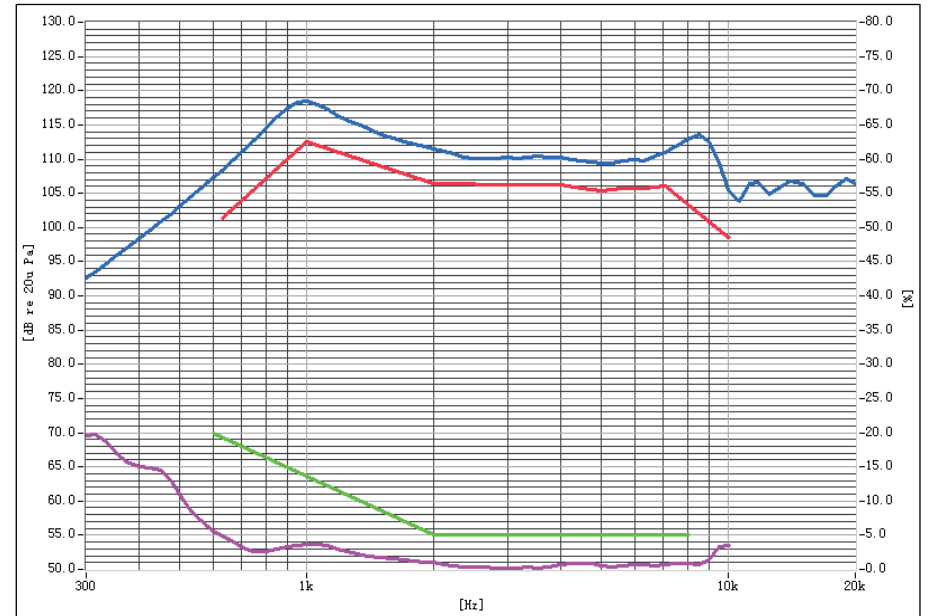
*For other termination options please contact sales@owolff.com or your local Ole Wolff representative.

PHYSICAL DIMENSIONS [mm]



GRAPHS

Test conditions: 1.5cc/ 2Vrms/1cm



F&R Mask

F&R.POINT	630	1k	2k	3.15k	4k	4.5k	5k	5.6k	6.3k	7k	10k	Hz
Lower Limit	-7	-6	-5	-4	-4	-4	-4	-4	-4	-5	-7	dB

THD Mask

FREQUENCY POINT	600	2000	8000	Hz
UPPER LIMITS	20	5	5	%