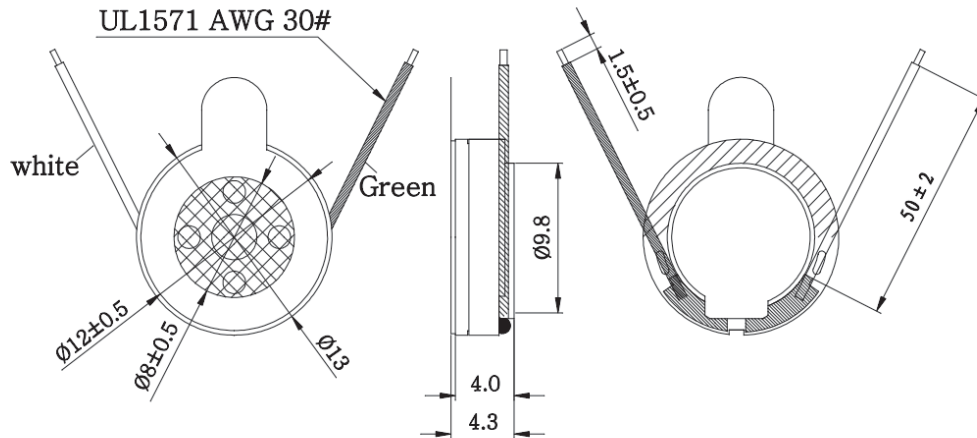


### CHARACTERISTICS

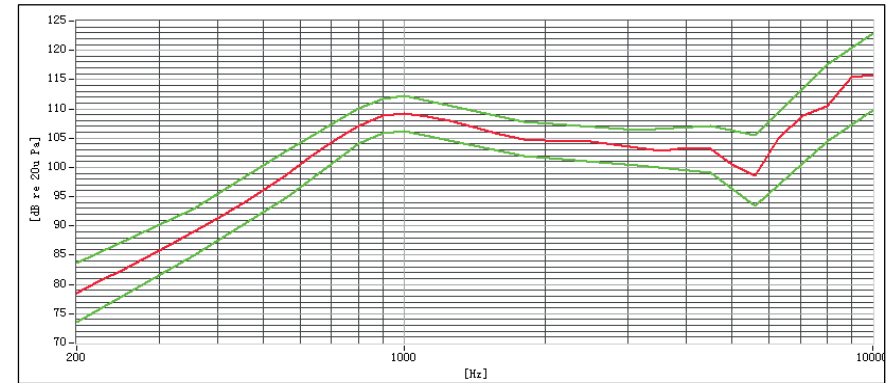
Impedance [ $\Omega$ ]	$8 \pm 15\%$ (at 2 kHz)
SPL [dB rel 20 $\mu$ Pa]	108 $\pm 3$ dB (0.1W / 10 mm) average @ 0.8 kHz-1.5 kHz
Resonance Frequency [Hz]	900 $\pm 20\%$ at 0.89V
Total Harmonic Distortion [%]	As shown in graph
Input Power (nom./max) [W]	0.5 / 0.8
Termination*	Wire

\*For other termination options please contact sales@owolff.com or your local Ole Wolff representative.

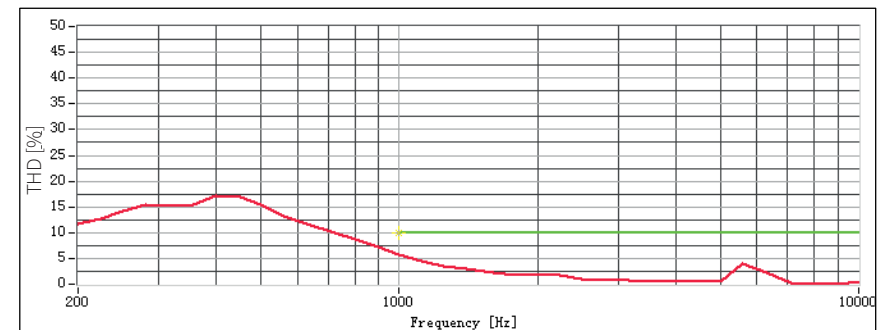
### PHYSICAL DIMENSIONS [mm]



### GRAPHS



F.Point	200	355	560	800	900	1k	1.8k	3.15k	4.5k	5.6k	8k	10k	Hz
Upper	+5	+4	+4	+3	+3	+3	+3	+3	+4	+7	+7	+7	dB
Lower	-5	-4	-4	-3	-3	-3	-3	-3	-4	-5	-6	-6	dB



The listed product information and data is given in good faith but without warranty.