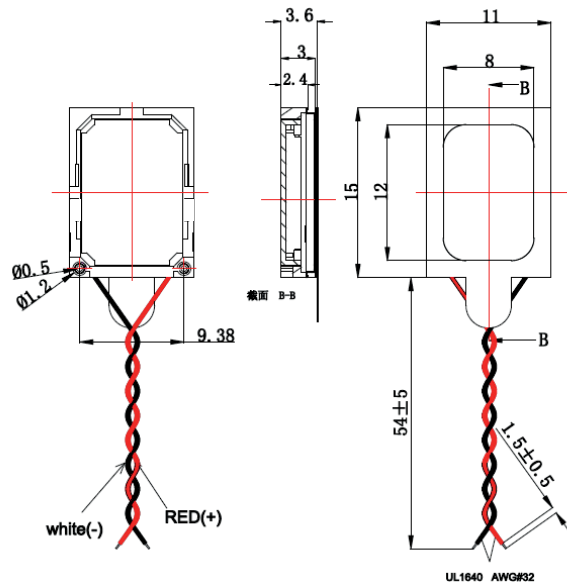


CHARACTERISTICS

Impedance [Ω]	8.0 \pm 15% @ 3KHz
SPL [dB rel 20 μ Pa]	108 \pm 3 (1cm/2.0Vrms in 1.0cc box)
Resonance Frequency [Hz]	850 \pm 20% (2.0Vrms in 1.0cc box)
Total Harmonic Distortion [%]	As shown in graph
Input Power (nom./max) [W]	0.5 /1.0 in 1cc box
Termination*	Wires

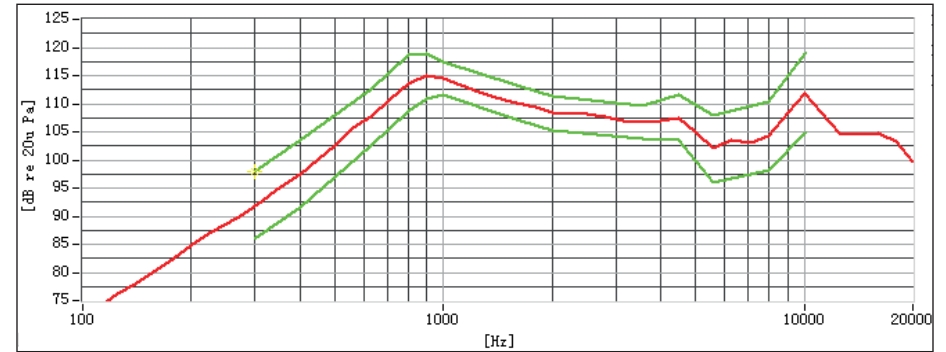
*For other termination options please contact sales@owolff.com or your local Ole Wolff representative.

PHYSICAL DIMENSIONS [mm]



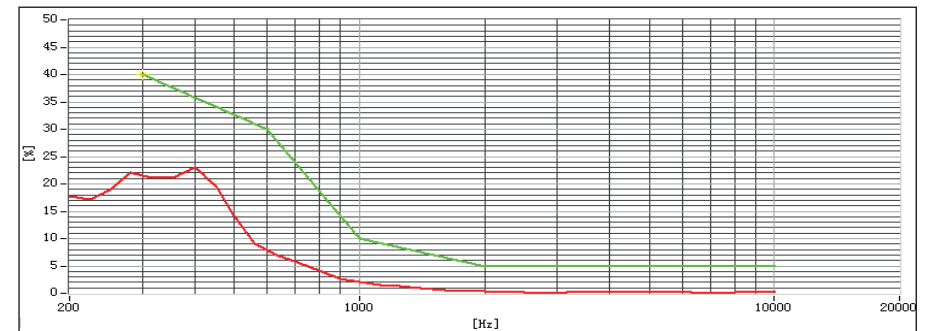
GRAPHS

Test conditions: 1.0cc/ 2Vrms/1cm



F&R Point	300	400	630	800	900	1k	1.6k	2k	3.55k	4.5k	5.6k	8k	10K	Hz
Upper limit	+7	+7	+6	+6	+5	+3	+3	+3	+3	+4	+6	-6	+7	dB
Lower limit	-7	-7	-6	-6	-5	-3	-3	-3	-3	-4	-6	-6	-7	dB
SPL	91.7	97.5	107.6	113.6	114.9	114.5	110.2	108.3	106.7	107.4	101.9	104.2	111.8	dB

Total Harmonic Distortion



F&R POINT	300	600	1000	2000	10000	Hz
Upper limit	40	30	10	5	5	%

The listed product information and data is given in good faith but without warranty.