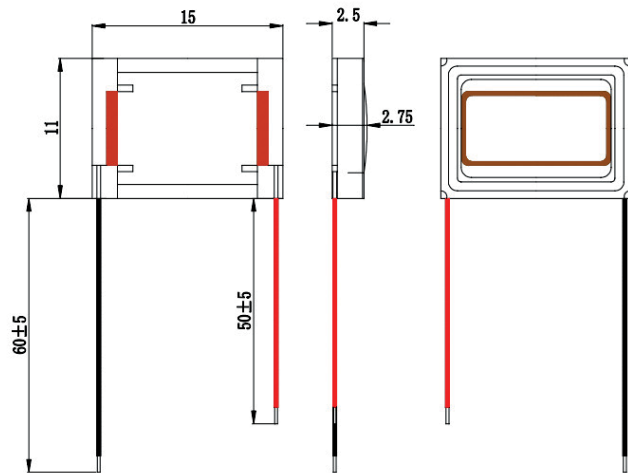


### CHARACTERISTICS

Impedance [ $\Omega$ ]	$7.2 \pm 15\%$ (at 3 kHz)
SPL [dB rel 20 $\mu$ Pa]	$113 \pm 3$ (1cm / 2.37 Vrms in 1.0cc box @ 2 kHz)
Resonance Frequency [Hz]	$850 \pm 20\%$ (2.37 Vrms in 1.0cc box)
Total Harmonic Distortion [%]	As shown in graph
Input Power (nom./max) [W]	0.7 / 1.0
Termination*	Wires

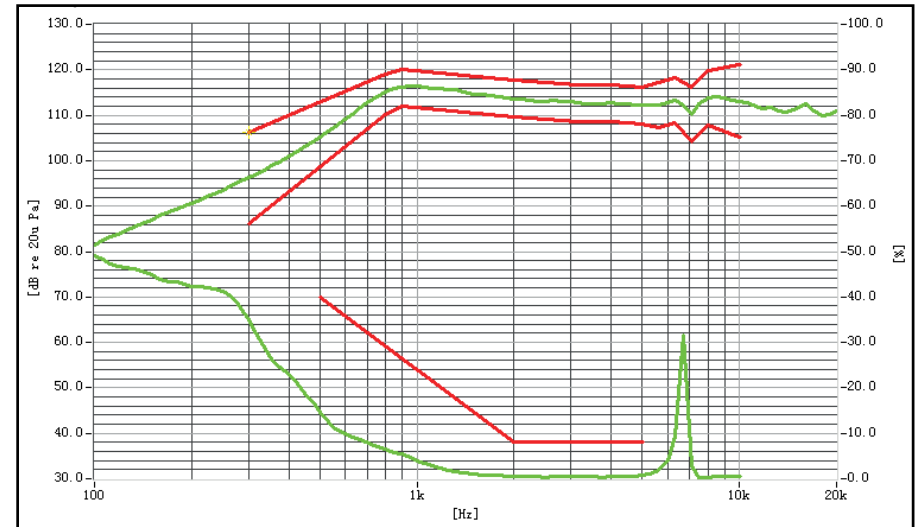
\*For other termination options please contact sales@owolff.com or your local Ole Wolff representative.

### PHYSICAL DIMENSIONS [mm]



### GRAPHS

Test conditions: 1.0cc/ 2.37Vrms/10mm



### F&R Mask:

F-Point	300	800	900	2k	3.15k	4k	4.5k	5k	5.6k	6.3k	7.1k	8k	10k	Hz
Upper limit	+10	+5	+4	+4	+4	+4	+4	+4	+5	+5	+6	+6	+8	dB
Lower limit	-10	-5	-4	-4	-4	-4	-4	-4	-5	-5	-6	-6	-8	dB

### THD Mask:

F- POINT	500	2000	5000	Hz
Upper limit	40	8	8	%