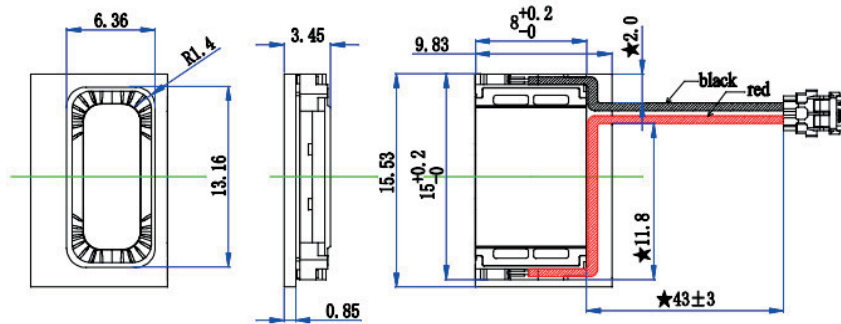


CHARACTERISTICS

Impedance [Ω]	7.5 \pm 15% (at 2kHz)
SPL [dB rel 20 μ Pa]	88 \pm 3 @2 kHz (10cm/2.0Vrms open back with HFP EQ set)
Resonance Frequency [Hz]	750 \pm 15% (2Vrms input open back)
Total Harmonic Distortion [%]	As shown in graph
Input Power (nom./max) [W]	0.5W/0.8W (800Hz 12dB HP filter must be used)
Termination*	Wire with connector

*For other termination options please contact sales@owolff.com or your local Ole Wolff representative.

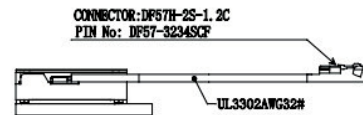
PHYSICAL DIMENSIONS [mm]



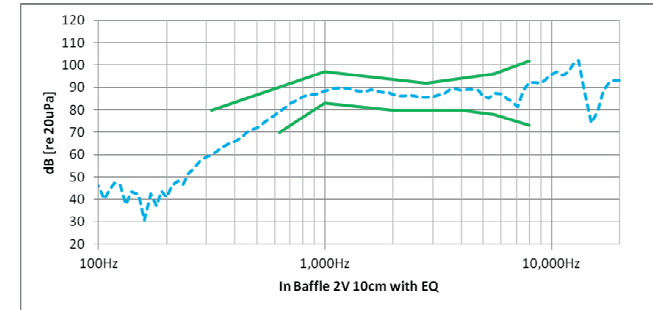
Note:

- ★mark dimension just for reference
- Since there is no glue to fix the wire, the shape and size of wire is for reference only
- Wire on speaker will not be fixed by glue.

Tolerance: \pm 0.2
Unit:mm

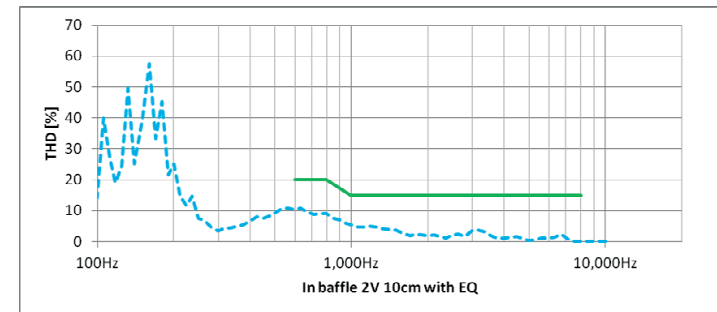


GRAPHS



Frequency (Hz)	Upper limit (dB)
315	80
1000	97
2800	92
5600	96
8000	102

Frequency (Hz)	Lower limit (dB)
630	70
1000	83
2000	80
4000	80
5600	78
8000	73



Frequency (Hz)	THD Limit (%)
600	20
800	20
1000	15
8000	15