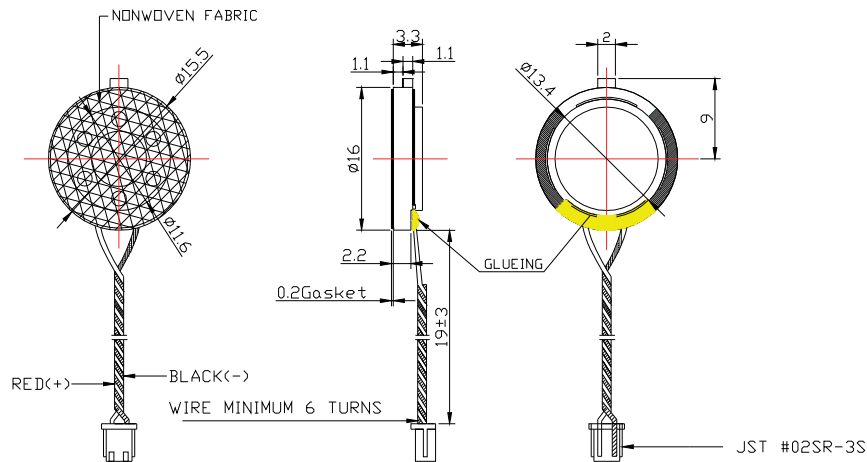


CHARACTERISTICS

Impedance [Ω]	$8 \pm 15\%$
SPL [dB rel 20 μ Pa]	89dB ± 3 dB(0.1W/0. 1M) average @ 0.8 to 1.5 kHz
Resonance Frequency [Hz]	$710 \pm 20\%$
Total Harmonic Distortion [%]	UPPER LIMIT FOR THD : 700Hz=20%, 1000Hz=5%,4.5kHz=5% INPUT: 890mV
Input Power (nom./max) [W]	0.6 / 1.0
Termination*	Wires / connector

*For other termination options please contact sales@owolff.com or your local Ole Wolff representative.

PHYSICAL DIMENSIONS [mm]



*WIRE UL1571 AWG #32

GRAPHS

