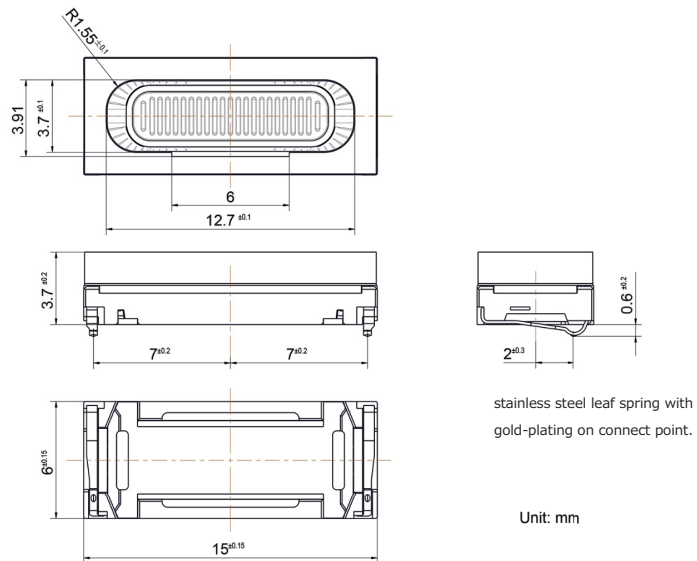


### CHARACTERISTICS

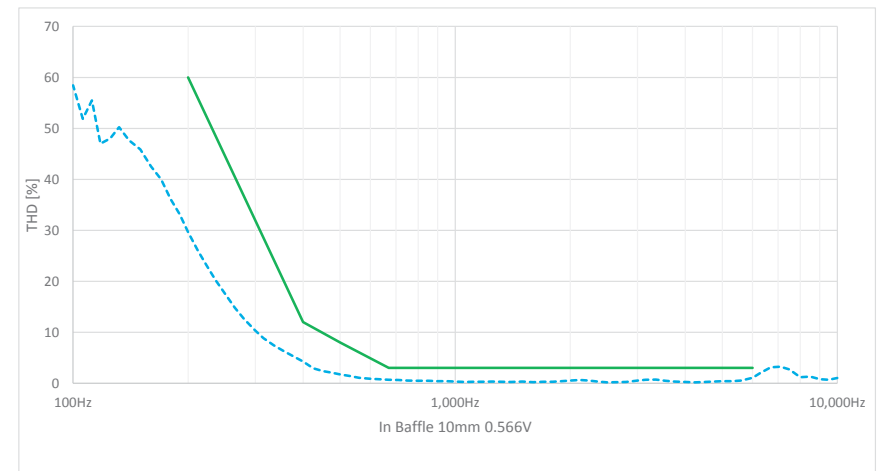
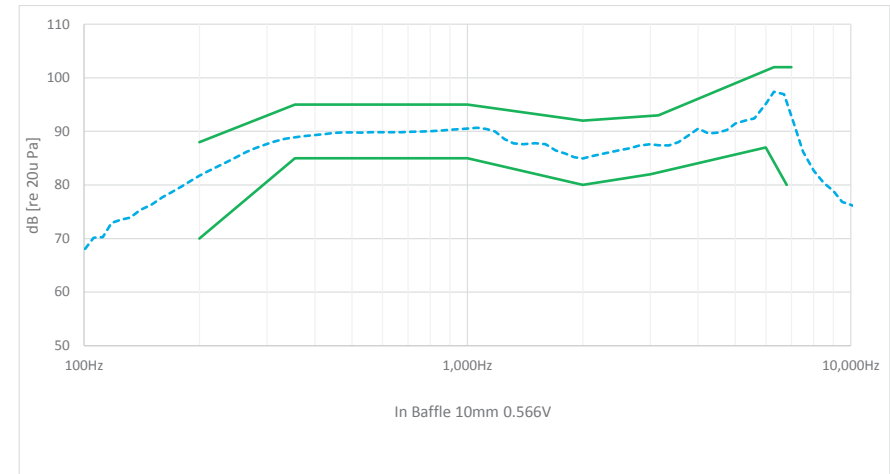
Impedance [ $\Omega$ ]	28.8 $\pm$ 15%
SPL [dB rel 20 $\mu$ Pa]	91 $\pm$ 2.5dB @ 1kHz / 0.566 Vrms / 10mm
Resonance Frequency [Hz]	350Hz $\pm$ 20%
Total Harmonic Distortion [%]	As shown in graph
Input Power (nom./max) [mW]	10 / 20
Termination*	Leaf spring

\*For other termination options please contact sales@owolff.com or your local Ole Wolff representative.

### PHYSICAL DIMENSIONS [mm]



### GRAPHS



The listed product information and data is given in good faith but without warranty.