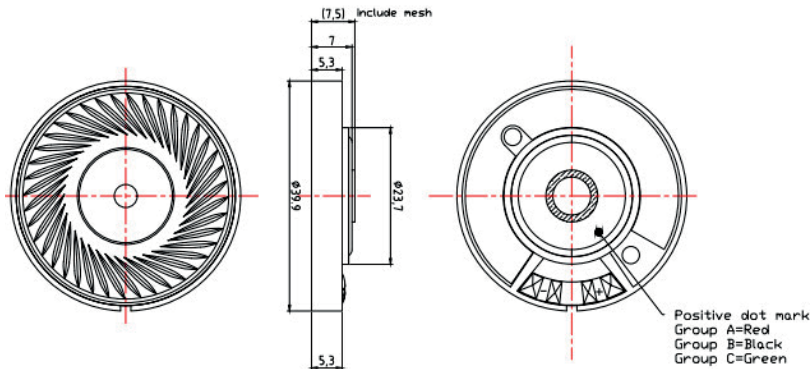


### CHARACTERISTICS

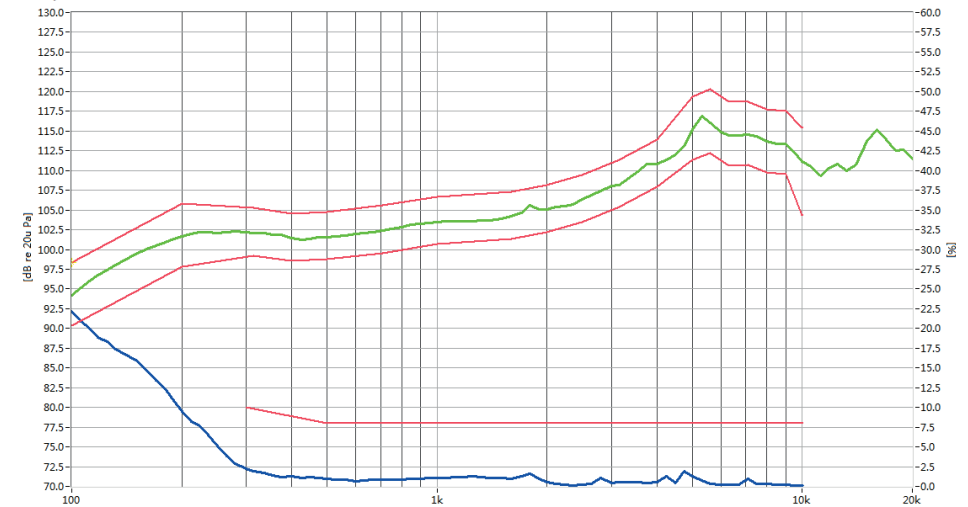
Impedance [ $\Omega$ ]	$32 \pm 15\%$ @ 2kHz
SPL [dB rel 20 $\mu$ Pa]	$103.5 \pm 3$ @ 1kHz / 1.13V (40mW)/ 1cm
Resonance Frequency [Hz]	$145.5 \pm 20\%$
Total Harmonic Distortion [%]	Upper limit for THD shown in graph.
Input Power (nom./max) [mW]	40/60
Termination*	Terminals

\*For other termination options please contact sales@owolff.com or your local Ole Wolff representative.

### PHYSICAL DIMENSIONS [mm]



### GRAPHS



#### FR Mask

F. POINT	100	200	315	400	500	710	1k	1.6k	2k	2.5k	Hz
Upper limit	+4	+4	+3	+3	+3	+3	+3	+3	+3	+3	dB
Lower limit	-4	-4	-3	-3	-3	-3	-3	-3	-3	-3	dB

F. POINT	3.15k	4k	5k	5.6k	6.3k	7.1k	8k	9k	10k	Hz
Upper limit	+3	+3	+4	+4	+4	+4	+4	+4	+4	dB
Lower limit	-3	-3	-4	-4	-4	-4	-4	-4	-4	dB

#### THD Mask

F.POINT	300	500	10000	Hz
UPPER LIMITS	10	8	8	%