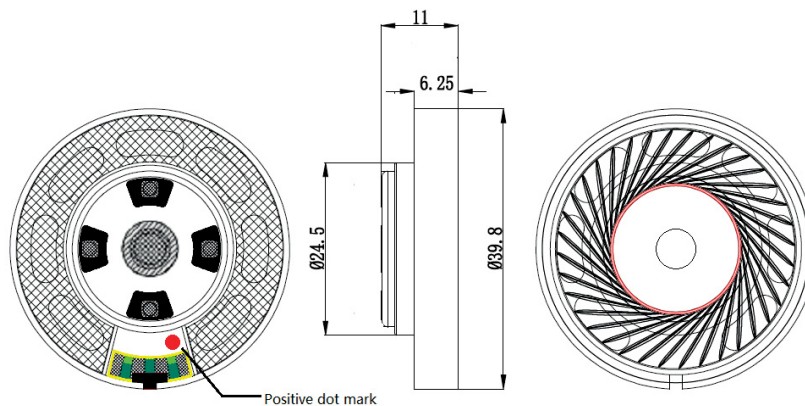


### CHARACTERISTICS

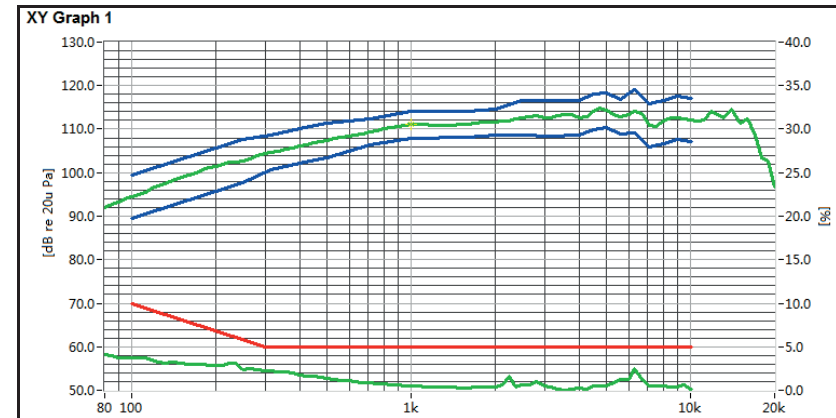
Impedance [ $\Omega$ ]	$32 \Omega \pm 15\%$
SPL [dB rel 20 $\mu$ Pa]	$110 \pm 3$ @ 1kHz / 1.13V / 1cm
Resonance Frequency [Hz]	$130 \pm 20\%$
Total Harmonic Distortion [%]	As shown in graph
Input Power (nom./max) [mW]	40 / 50
Termination*	Terminals

\*For other termination options please contact sales@owolff.com or your local Ole Wolff representative.

### PHYSICAL DIMENSIONS [mm]



### GRAPHS



#### F&R Mask:

F-POINT	100	250	315	400	500	710	1k	1.6k	2k	2.5k	Hz
Upper limit	+5	+5	+4	+4	+4	+3	+3	+3	+3	+4	dB
Lower limit	-5	-5	-4	-4	-4	-3	-3	-3	-3	-4	dB

F-POINT	3.15k	4k	4.5k	5k	5.6k	6.3k	7.1k	8k	9k	10k	Hz
Upper limit	+4	+4	+4	+4	+4	+5	+5	+5	+5	+5	dB
Lower limit	-4	-4	-4	-4	-4	-5	-5	-5	-5	-5	dB

#### THD Mask:

Frequency Point	100	300	10000	Hz
Upper limit	10%	5%	5%	%