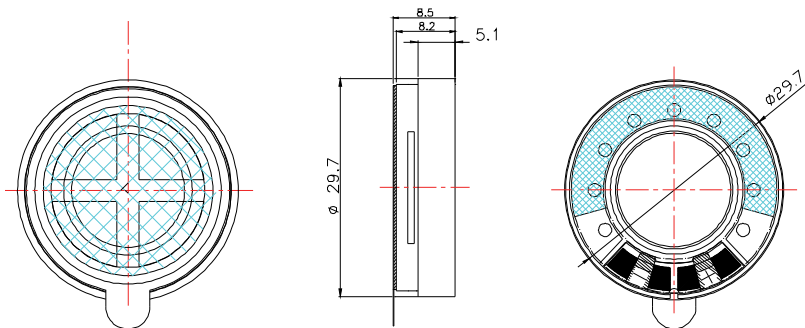


### CHARACTERISTICS

Impedance [ $\Omega$ ]	150 $\pm$ 15%
SPL [dB rel 20 $\mu$ Pa]	92 $\pm$ 3 dB avg. @ 1 kHz / 10 mW/10mm
Resonance Frequency [Hz]	160 $\pm$ 30
Total Harmonic Distortion [%]	As shown in graph
Input Power (nom./max) [mW]	10 / 30
Termination*	Terminals

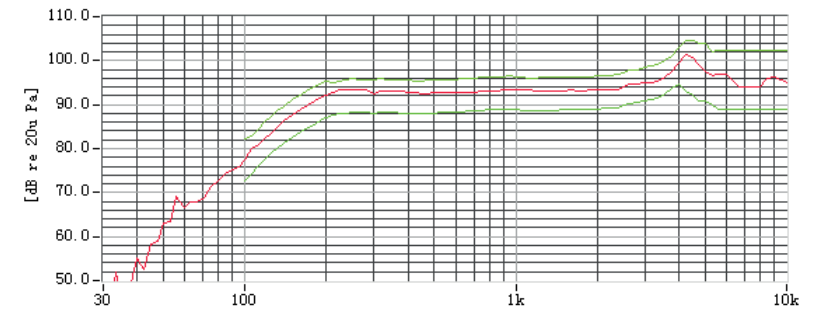
\*For other termination options please contact sales@owolff.com or your local Ole Wolff representative.

### PHYSICAL DIMENSIONS [mm]



### GRAPHS

#### SPL



#### THD

