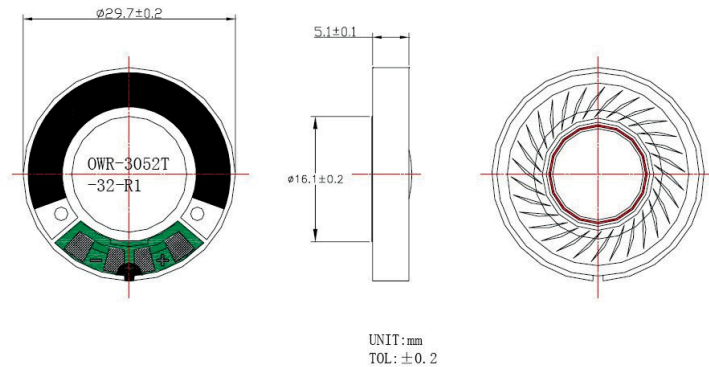


CHARACTERISTICS

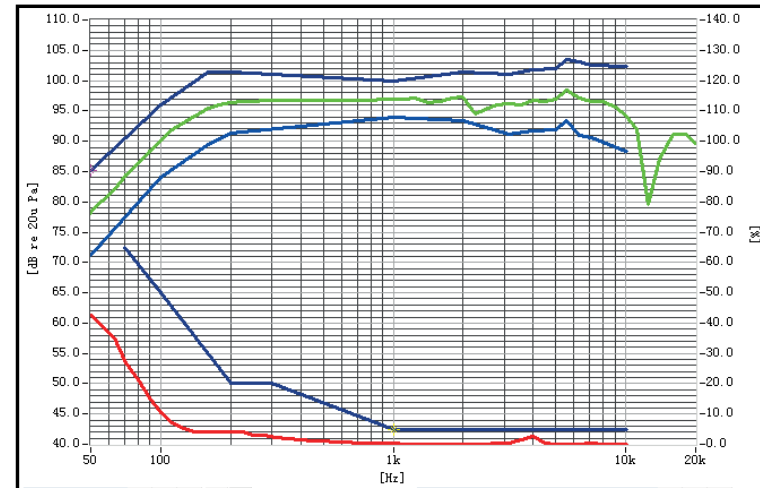
Impedance [Ω]	32 \pm 15%
SPL [dB rel 20 μ Pa]	94 \pm 3 @ 1 kHz / 10mW / 10mm
Resonance Frequency [Hz]	150 \pm 30Hz @ 10mW
Total Harmonic Distortion [%]	As shown in graph
Input Power (nom./max) [mW]	10 / 30
Termination*	Terminals

*For other termination options please contact sales@owolff.com or your local Ole Wolff representative.

PHYSICAL DIMENSIONS [mm]



GRAPHS



F&R Mask:

F.Point	50	100	160	200	1000	2000	3.15K	4K	5K	5.6k	6.3k	7.1k	10K	Hz
Upper Limit	+7	+6	+6	+5	+3	+4	+5	+5	+5	+5	+6	+6	+8	dB
Lower Limit	-7	-6	-6	-5	-3	-4	-5	-5	-5	-5	-6	-6	-6	dB

THD Mask:

F.Point	70	100	200	300	1000	10000	Hz
Upper Limit	65	50	20	20	5	5	%