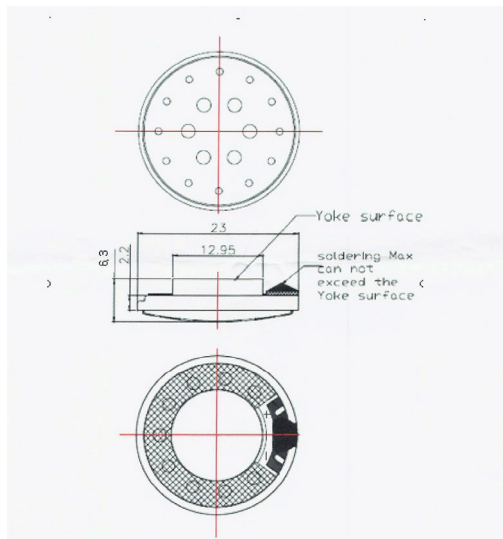


CHARACTERISTICS

Impedance [Ω]	150 \pm 15%
SPL [dB rel 20 μ Pa]	96 \pm 3 @ 1kHz / 0.01m / 10 mW
Resonance Frequency [Hz]	150 \pm 15% @ 10 mW
Total Harmonic Distortion [%]	As shown in graph
Input Power (nom./max) [mW]	10 / 15
Termination*	Terminals

*For other termination options please contact sales@owolff.com or your local Ole Wolff representative.

PHYSICAL DIMENSIONS [mm]



GRAPHS

