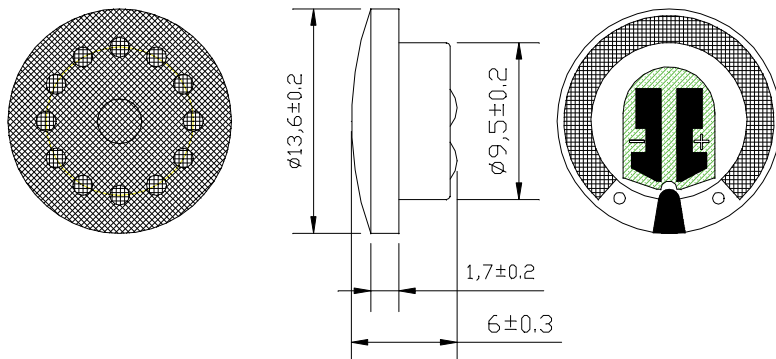


## CHARACTERISTICS

Impedance [ $\Omega$ ]	16 $\pm$ 15%
SPL [dB rel 20 $\mu$ Pa]	118 $\pm$ 3 @ 1 kHz / 179mV / IEC 318
Resonance Frequency [Hz]	280 $\pm$ 20%
Total Harmonic Distortion [%]	As shown in graph
Input Power (nom./max) [mW]	2 / 5
Termination*	Terminals

\*For other termination options please contact sales@owolff.com or your local Ole Wolff representative.

## PHYSICAL DIMENSIONS [mm]



## GRAPHS

