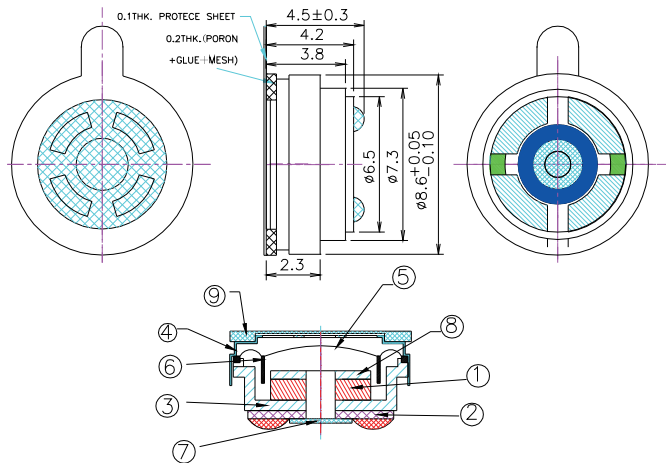


### CHARACTERISTICS

Impedance [ $\Omega$ ]	16 $\pm$ 15%
SPL [dB rel 20 $\mu$ Pa]	100 $\pm$ 3 @ 1 kHz / 1 mW / 2cc
Resonance Frequency [Hz]	3100 Hz $\pm$ 15%
Total Harmonic Distortion [%]	As shown in graph
Input Power (nom./max) [mW]	5 / 10
Termination*	Terminals

\*For other termination options please contact sales@owolff.com or your local Ole Wolff representative.

### PHYSICAL DIMENSIONS [mm]



### GRAPHS

