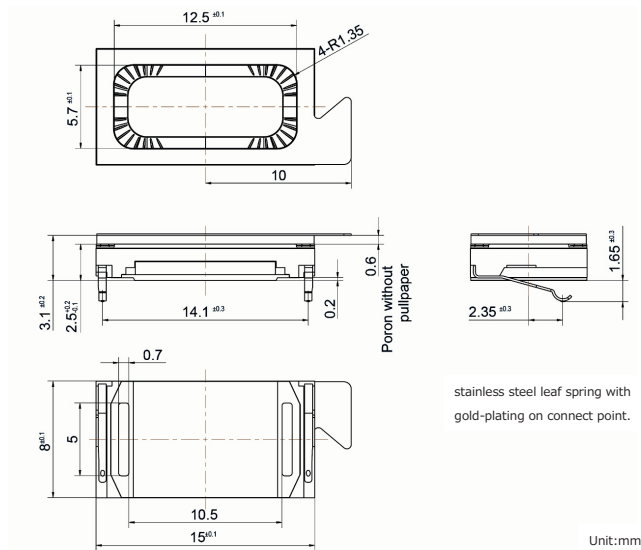


CHARACTERISTICS

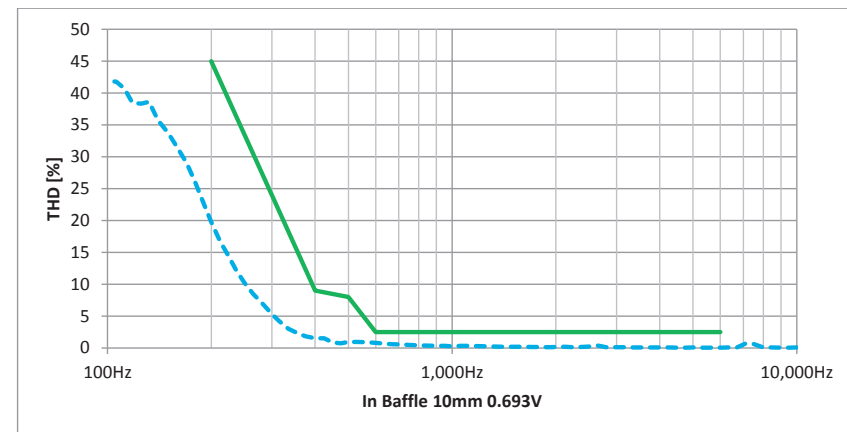
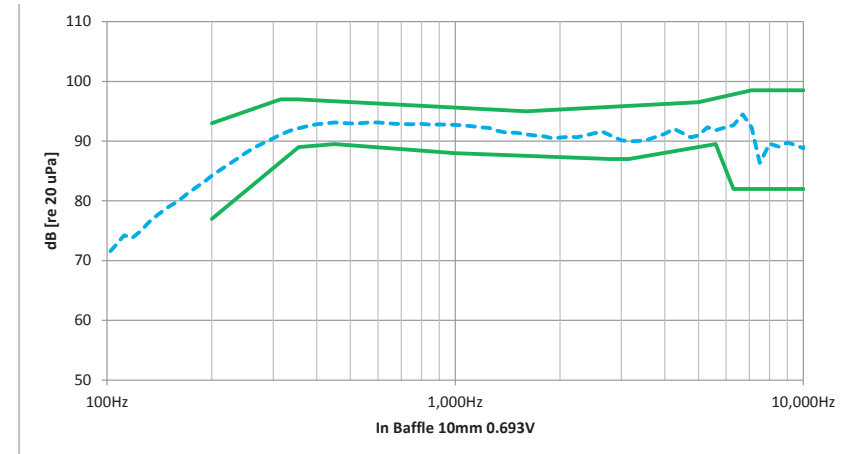
Impedance [Ω]	28.8 \pm 15%
SPL [dB rel 20 μ Pa]	93.5 \pm 3 @ 1 kHz / 0.693 V _{rms} / 10mm
Resonance Frequency [Hz]	300Hz \pm 20%
Total Harmonic Distortion [%]	As shown in graph
Input Power (nom./max) [mW]	15 / 20
Termination*	Leaf spring

*For other termination options please contact sales@owolff.com or your local Ole Wolff representative.

PHYSICAL DIMENSIONS [mm]



GRAPHS



The listed product information and data is given in good faith but without warranty.