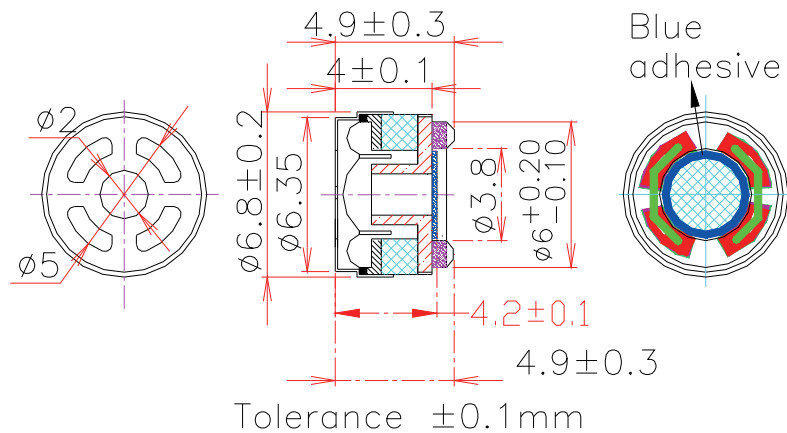


### CHARACTERISTICS

Impedance [ $\Omega$ ]	$16 \pm 15\%$
SPL [dB rel 20 $\mu$ Pa]	$98.8 \pm 3$ @ 1kHz / 1mW / 2cc
Resonance Frequency [Hz]	$3100 \pm 15\%$
Total Harmonic Distortion [%]	As shown in graph
Input Power (nom./max) [mW]	5 / 10
Termination*	Terminals

\*For other termination options please contact sales@owolff.com or your local Ole Wolff representative.

### PHYSICAL DIMENSIONS [mm]



### GRAPHS

