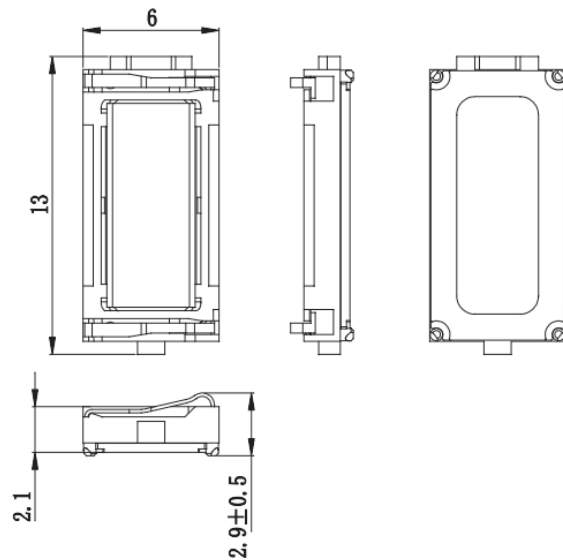


CHARACTERISTICS

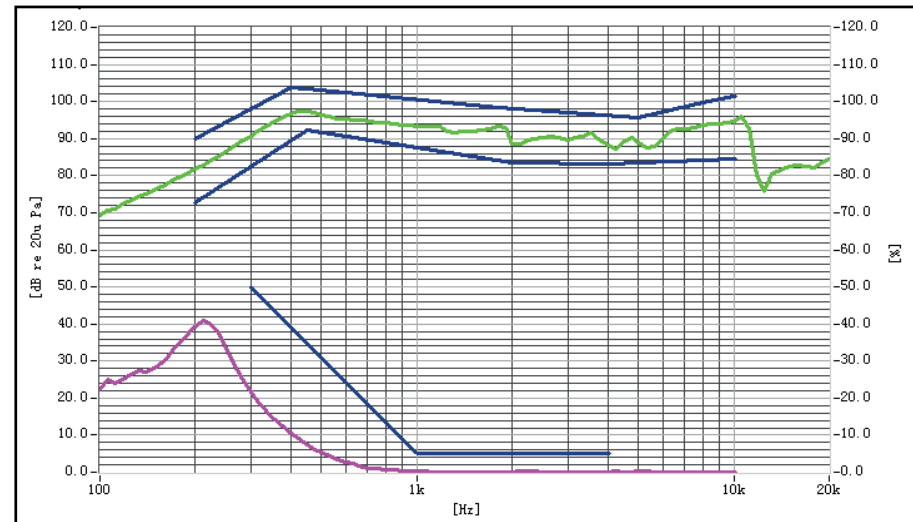
Impedance [Ω]	$28 \pm 15\%$ @ 2 kHz
SPL [dB rel 20 μ Pa]	93dB ± 3 dB at 1KHz (5mm/0.56Vrms)
Resonance Frequency [Hz]	$400 \pm 20\%$ w/o back cavity
Total Harmonic Distortion [%]	As shown in graph
Input Power (nom./max) [mW]	10 / 20
Termination*	Leaf spring w/o back cavity

*For other termination options please contact sales@owolff.com or your local Ole Wolff representative.

PHYSICAL DIMENSIONS [mm]



GRAPHS



F&R Mask:

F.Point	200	400	450	1.8k	2k	3.55k	4k	5k	8k	10k	Hz
Upper Limit	+8	+7	+6	+5	-	+5	-	+7	+6	+7	dB
Lower Limit	-9	-	-5	-	-5	-	-5	-	-	-10	dB

THD Mask:

F.Point	300	1000	4000	Hz
Upper Limit	50	5	5	dB