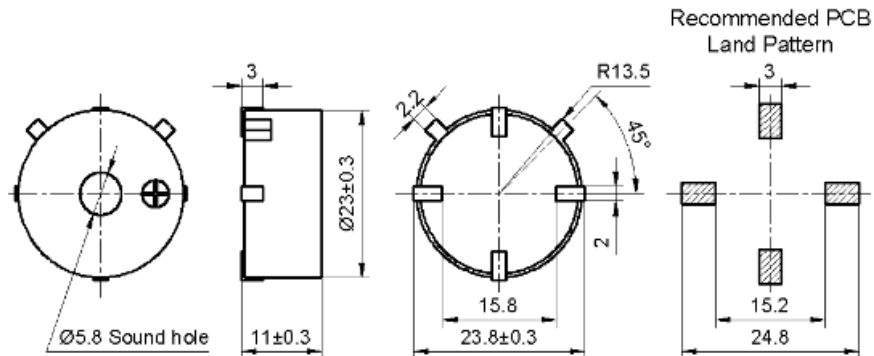


**CHARACTERISTICS**

Rated current [mA]	≤9
Max input voltage [V <sub>p-p</sub> ]	30
Sound Output [dB rel 20 μPa]*	≥100 @ 10 cm
Resonance Frequency [Hz]*	4000
Capacitance at 120 Hz [pF]	-

\*Specified at rated voltage (resonant frequency, 1/2 duty, square wave).

**PHYSICAL DIMENSIONS [mm]**

**FREQUENCY RESPONSE**
