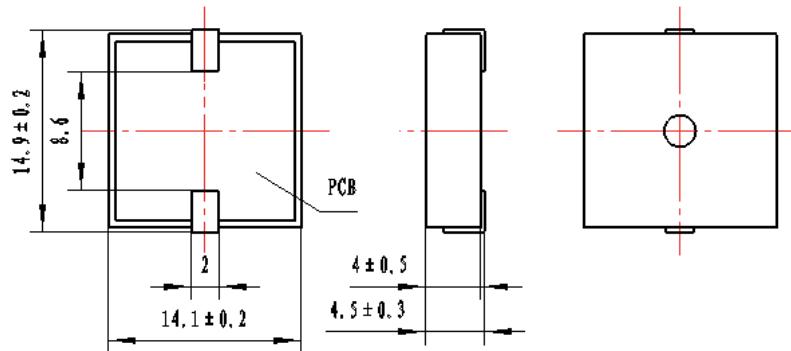


## CHARACTERISTICS

|                                       |             |
|---------------------------------------|-------------|
| Rated current [mA]                    | 3           |
| Max input voltage [V <sub>p-p</sub> ] | 20          |
| Sound Output [dB rel 20 µPa]*         | ≥80 @ 10 cm |
| Resonance Frequency [Hz]*             | 4000 ±500   |
| Capacitance at 120 Hz [pF]            | 12000±30%   |

\*Specified at rated voltage (resonant frequency, 1/2 duty, square wave).

## PHYSICAL DIMENSIONS [mm]



## FREQUENCY RESPONSE

