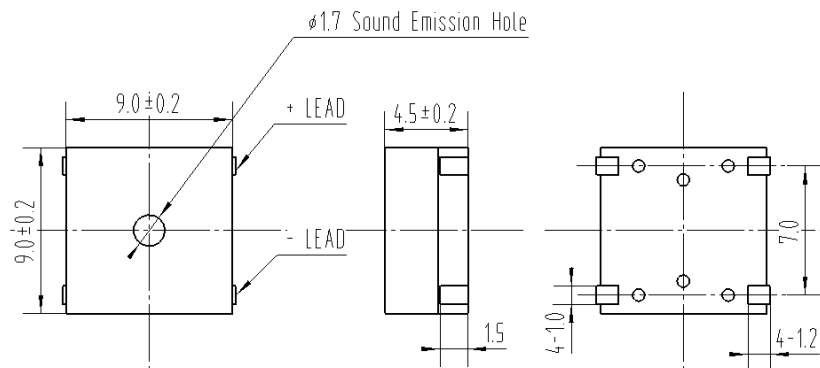


CHARACTERISTICS

Rated Voltage [V]	3.3
Operating Voltage [V]	2.0~5.0
Current Consumption [mA]*	≤100
Sound Output [dB rel 20 µPa]*	≥90 @ 10 cm
Resonance Frequency [Hz]*	3200
Coil resistance [Ω]	16±3

*Specified at rated voltage (Resonant frequency, 1/2 duty, Square wave)

PHYSICAL DIMENSIONS [mm]



FREQUENCY RESPONSE

