

OWS-424231T-4A & OWS-525232T-4A

FULL RANGE SPEAKERS FOR 75cc-150cc ENCLOSURES

PRODUCT HIGHLIGHTS

- Powerfull speakes targeted for full-range applications
- Low resonance frequencies in small 75cc-150cc enclosures
- Powerful linear excursion $\pm 3\text{mm}$
- Extended high frequency response
- Paired with Ole Wolff Passive Radiators, usable frequency response extends below 60 Hz

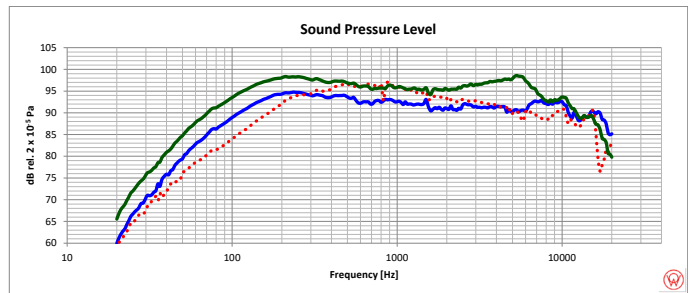


Image 1: The OWS-424231T-4A



Image 2: The OWS-525232T-4A

Free-field frequency response, 1W 10cm



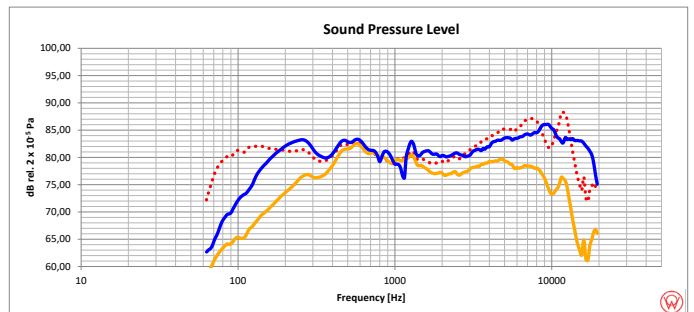
Graph 1: raw driver response

■ OWS-424231T-4A ■ OWS-525232T-4A ■ Bose Soundlink mini II driver

Used in a small enclosure (OWS-424231T-4A: 75cc, OWS-525232T-4A: 150cc) along with passive radiators and digital signal processing (DSP), it is possible to tailor the frequency response from <60 Hz to 20kHz. An example of the influence of the DSP in a popular bluetooth speaker is shown in **Graph 2** (orange: before DSP, red: after DSP). Similar (and better) results are possible if DSP is applied to the OWS-424231T-4A (blue) or OWS-525232T-4A in a system with matched passive radiators.

System response in a volume of 75cc, normalized at 1kHz, 50cm

■ OWS-424231T-4A no DSP
 ■ Bose Soundlink mini II driver no DSP
 ■ Bose Soundlink mini II driver with DSP

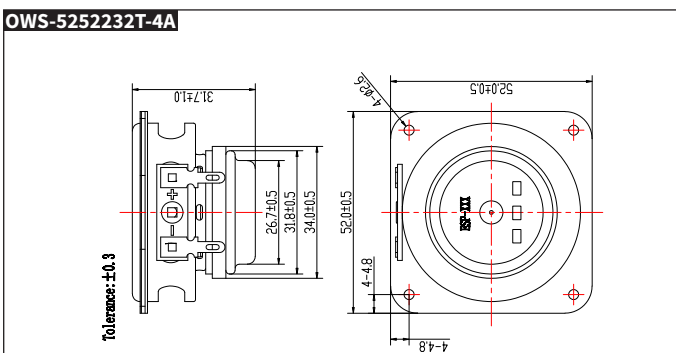
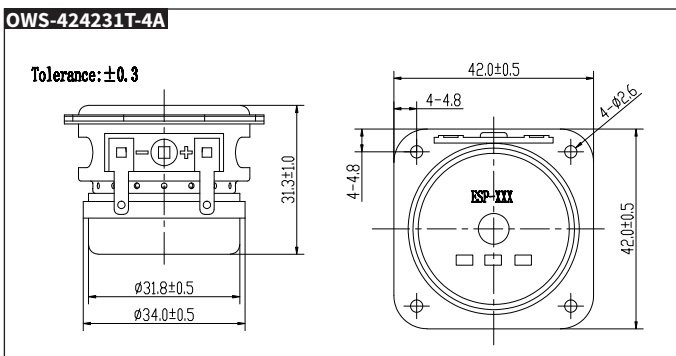


Graph 2: Frequency response in 75cc

DATA SHEETS:

<http://www.owolff.com/Acoustics/Datasheets/Speakers/OWS-424231T-4A.pdf>

<http://www.owolff.com/Acoustics/Datasheets/Speakers/OWS-525232T-4A.pdf>



RESOURCES: Upon request Ole Wolff can supply 3D CAD drawings and Comsol™ lumped models of the speakers to assist you in the design process.



Ole Wolff Elektronik A/S
 Roedengvej 25, 4180 Soroe
 DK Denmark

T: +4557833830 | sales@owolff.com

www.owolff.com